

Deadbreak Apparatus Connectors

600 A 15 kV and 25 kV Class Insulated Protective Cap

Electrical Apparatus
600-43

DESCRIPTION

Cooper Power Systems 600 A, 15 and 25 kV class insulated protective cap meets the full requirements of ANSI/IEEE Standard 386—Separable Insulated Connector Systems and provides insulated, fully shielded submersible protection for energized 15 and 25 kV class deadbreak interfaces. The cap is required for temporary or permanent installation on 15 and 25 kV deadbreak bushings, junctions and other accessories having interfaces that conform to ANSI/IEEE Standard 386.

The cap design includes a semi-conducting EPDM insert for stress relief and high quality peroxide cured EPDM insulation. The molded EPDM semi-conducting shield maintains ground potential on the cap's surface when the drain wire is connected to a common ground.

INSTALLATION

No special tools are required. A hotstick tool is used to place the protective cap on a de-energized bushing. Refer to Service Literature S600-23-1 for installation instruction.

PRODUCTION TESTS

Tests are conducted in accordance with ANSI/IEEE Standard 386.

- ac 60 Hz 1 Minute Withstand
— 40 kV
- Minimum Corona Voltage Level
— 19 kV

Tests are conducted in accordance with RTE Components requirements.

- Physical Inspection
- Periodic Dissection
- Periodic Fluoroscopic Analysis



Figure 1.
Standard Insulated Protective Cap with drain wire.



Figure 2.
U-OP™/T-OP™ II Insulated Protective Cap with drain wire.

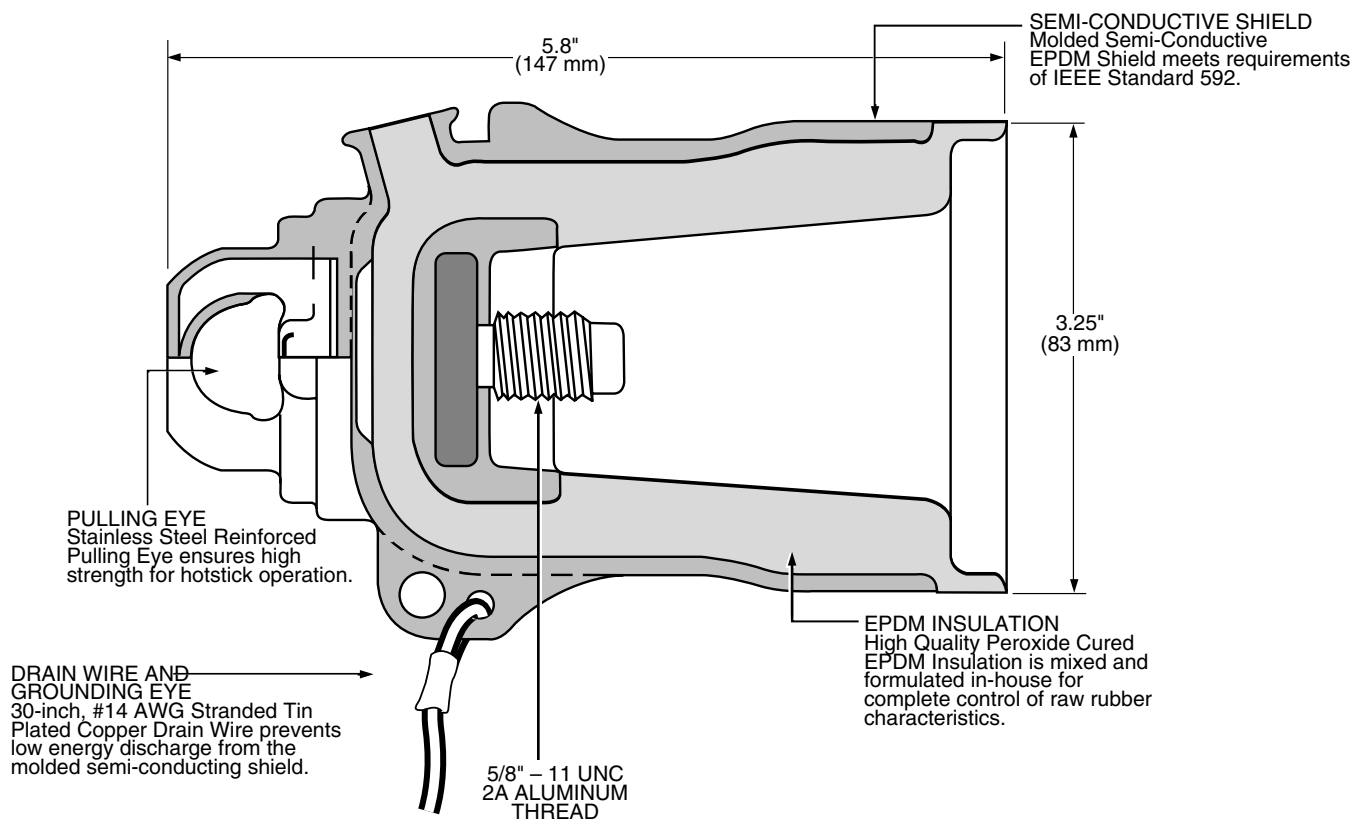


Figure 3. Cutaway illustration of Standard Cap with Drain Wire shows design detail and dimensions.

NOTE: Dimensions given are for reference only.

TABLE 1
Voltage Ratings and Characteristics

Description	kV
Standard Voltage Class	25
Maximum Rating Phase-to-Ground	15.2
ac 60 Hz 1 Minute Withstand	40
dc 15 Minute Withstand	78
BIL and Full Wave Crest	125
Minimum Corona Voltage Level	19

Voltage ratings and characteristics are in accordance with ANSI/IEEE Standard 386.

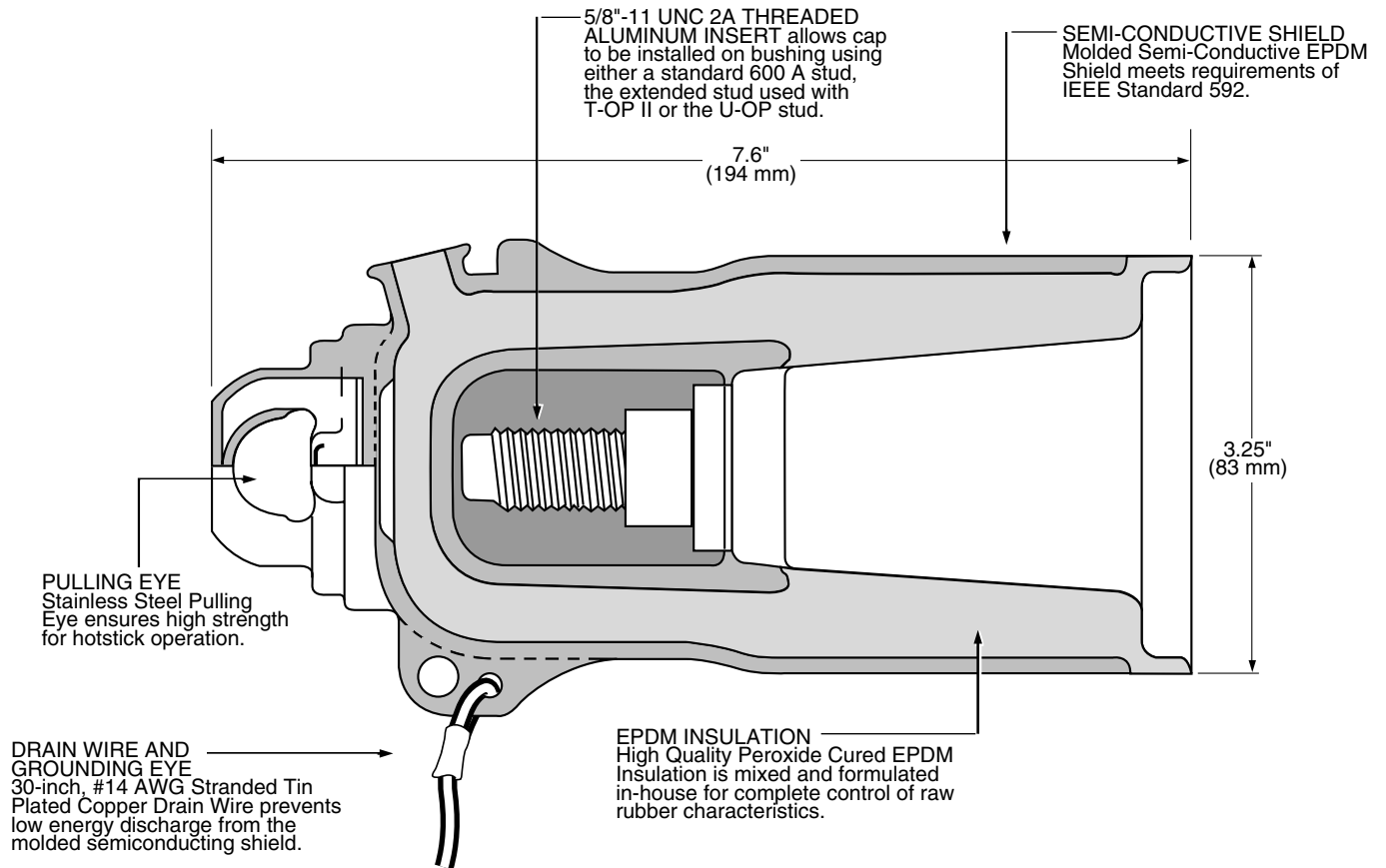


Figure 4.
Cutaway illustration of T-OP II Cap with Drain Wire shows design detail and dimensions.

NOTE: Dimensions given are for reference only.

ORDERING INFORMATION

To order a Cooper Power Systems 15 and 25 kV class insulated protective cap kit, refer to Table 2.

TABLE 2
Insulated Protective Cap Kits

Description	Catalog Number
Standard Cap with drain wire (See Figure 3) with permanent studs	DPC625
U-OP/T-OP II Cap with drain wire (See Figure 4) without stud	DPC625UT

Each kit contains:

- Protective Cap
- Silicone Lubricant
- Installation Instruction Sheet



Bogotá Sala de Ventas

Carrera 12 No 13 - 46
PBX: 6013360755 - 6013412439
Celular: 312 3055335

Centro de Distribución

Carrera 18 No 19A - 36
PBX: 6013360755 EXT: 2101

ISO 9001:2000-Certified Quality Management System



Cooper Power Systems

Quality from
Cooper Industries