

# Condulet GUA conduit outlet boxes with covers

Cl. I, Div. 1 & 2, Groups B, C, D  
 Cl. II, Div. 1, Groups E, F, G  
 Cl. II, Div. 2, Groups F, G  
 Cl. III  
 NEMA 3, 4, 7CD, 9EFG

Explosionproof  
 Dust-ignitionproof  
 Raintight  
 Wet Locations

3F

## Applications:

GUA conduit outlet boxes are installed within hazardous area conduit systems to:

- Protect conductors in threaded rigid conduit
- Act as pull and splice boxes
- Connect lengths of conduit
- Change conduit direction
- Provide access to conductors for maintenance and future system changes
- Act as mounting outlets for fixtures (with appropriate covers)
- Act as sealing fittings (with appropriate covers)

## Features:

GUA conduit boxes have:

- Neoprene o-ring standard to meet NEMA 4 requirements
- Cast ears on cover to permit easy removal and tightening
- Internal green ground screw #8
- Four standard mounting pads except for boxes with bottom hubs
- Threaded cover openings
- Ten different hub arrangements
- Taper threaded hubs to provide grounding continuity
- Smooth integral hub bushing protects conductor insulation when pulling
- Surface covers furnished with boxes
- Sealing covers, dome covers and fixture hanger covers are available
- Cover threads are 12 pitch standard; 16 pitch on select aluminum shapes and sizes

## Certifications and compliances:

### NEC/CEC:

- Class I, Divisions 1 & 2, Groups B, C, D
- Class II, Division 1, Groups E, F, G
- Class II, Division 2, Groups F, G
- Class III

### UL standard:

- UL1203

### ANSI standard:

- C33.27

### CSA standard:

- C22.2 No. 30

### Environmental ratings:

- NEMA/EEMAC 3, 4

## Standard materials:

- Bodies – Feraloy iron alloy
- Covers – copper-free aluminum

## Standard finishes:

- Feraloy iron alloy – electrogalvanized and aluminum acrylic paint
- Aluminum – natural

## Options:

### Description

- Bodies – copper-free aluminum ..... SA  
*Available in select shapes and sizes*
- Covers – Feraloy iron alloy..... WOD  
*Electrogalvanized and aluminum acrylic paint finish*
- GUA Form 6 (with 3" cover opening)..... VW  
*Available with optional cover with viewing window*
- Corro-free epoxy powder coat..... S752
- To order box less cover..... Add '0' to end of catalog number
- Factory installed terminal blocks mounted to DIN rail ..... DIN12-122  
*See page 56 for ordering information*
- Factory installed terminal blocks directly mounted to outlet box..... TB14-112  
*See page 56 for ordering information*

**Note:** When assembled with sealing type cover, GUA outlet boxes provide adequate sealing for 40% fill in hazardous areas – Class I, Groups C, D; Class II, Groups E, F, G; and Class III. Seals can be made in either horizontal or vertical positions. Use Chico® A sealing compound or Chico SpeedSeal™ only. Conductor splices or connections must not be made in enclosures where sealing compound is to be used per NEC.

## Ordering information:

### GUA



| Hub size | Cover opening dia. | Cat. #             |
|----------|--------------------|--------------------|
| 1/2"     | 2"                 | GUA14              |
| 3/4"     | 2"                 | GUA24              |
| 1/2"     | 3"                 | GUA16              |
| 3/4"     | 3"                 | GUA26 <sup>A</sup> |
| 1"       | 3"                 | GUA36              |
| 1 1/4"   | 3 5/8"             | GUA47              |
| 1 1/2"   | 5"                 | GUA59              |

### GUAB



| Hub size | Cover opening dia. | Cat. #              |
|----------|--------------------|---------------------|
| 1/2"     | 2"                 | GUAB14 <sup>B</sup> |
| 3/4"     | 2"                 | GUAB24              |
| 1/2"     | 3"                 | GUAB16 <sup>A</sup> |
| 3/4"     | 3"                 | GUAB26 <sup>A</sup> |
| 1"       | 3"                 | GUAB36 <sup>A</sup> |
| 1 1/4"   | 3 5/8"             | GUAB47 <sup>B</sup> |
| 1 1/2"   | 5"                 | GUAB59 <sup>A</sup> |
| 2"       | 5"                 | GUAB69 <sup>A</sup> |

### GUAC



| Hub size | Cover opening dia. | Cat. #              |
|----------|--------------------|---------------------|
| 1/2"     | 2"                 | GUAC14 <sup>B</sup> |
| 3/4"     | 2"                 | GUAC24 <sup>B</sup> |
| 1/2"     | 3"                 | GUAC16 <sup>A</sup> |
| 3/4"     | 3"                 | GUAC26 <sup>A</sup> |
| 1"       | 3"                 | GUAC36 <sup>A</sup> |
| 1 1/4"   | 3 5/8"             | GUAC47 <sup>B</sup> |
| 1 1/4"   | 5"                 | GUAC49 <sup>A</sup> |
| 1 1/2"   | 5"                 | GUAC59 <sup>A</sup> |
| 2"       | 5"                 | GUAC69 <sup>A</sup> |

### GUAD



| Hub size | Cover opening dia. | Cat. #              |
|----------|--------------------|---------------------|
| 1/2"     | 2"                 | GUAD14              |
| 3/4"     | 2"                 | GUAD24              |
| 1/2"     | 3"                 | GUAD16              |
| 3/4"     | 3"                 | GUAD26 <sup>B</sup> |
| 1"       | 3"                 | GUAD36 <sup>B</sup> |
| 1 1/4"   | 5"                 | GUAD49              |

<sup>A</sup> May be ordered with suffix 'SA'; listed for Class I, Divisions 1 & 2, Groups B, C and D, Class II, Division 1, Groups E, F, G and Class III. Covers have 16 pitch threads.

<sup>B</sup> May be ordered with suffix 'SA' (copper-free aluminum).

# Condulet GUA conduit outlet boxes with covers

Cl. I, Div. 1 & 2, Groups B<sup>ⓐ</sup>, C, D  
 Cl. II, Div. 1, Groups E, F, G  
 Cl. II, Div. 2, Groups F, G  
 Cl. III  
 NEMA 3, 4, 7CD, 9EFG

Explosionproof  
 Dust-ignitionproof  
 Raintight  
 Wet Locations

**3F**  
3F

## Ordering information (continued):

### GUAL



| Hub size | Cover opening dia. | Cat. #              |
|----------|--------------------|---------------------|
| 1/2"     | 2"                 | GUAL14 <sup>ⓐ</sup> |
| 3/4"     | 2"                 | GUAL24 <sup>ⓐ</sup> |
| 1/2"     | 3"                 | GUAL16 <sup>ⓐ</sup> |
| 3/4"     | 3"                 | GUAL26 <sup>ⓐ</sup> |
| 1"       | 3"                 | GUAL36 <sup>ⓐ</sup> |
| 1 1/4"   | 3 5/8"             | GUAL47 <sup>ⓐ</sup> |
| 1 1/4"   | 5"                 | GUAL49 <sup>ⓐ</sup> |
| 1 1/2"   | 5"                 | GUAL59 <sup>ⓐ</sup> |
| 2"       | 5"                 | GUAL69 <sup>ⓐ</sup> |

### GUAN<sup>ⓐ</sup>



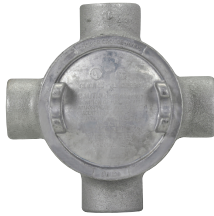
| Hub size | Cover opening dia. | Cat. # |
|----------|--------------------|--------|
| 1/2"     | 2"                 | GUAN14 |
| 3/4"     | 2"                 | GUAN24 |
| 1/2"     | 3"                 | GUAN16 |
| 3/4"     | 3"                 | GUAN26 |
| 1"       | 3"                 | GUAN36 |
| 1 1/4"   | 3 5/8"             | GUAN47 |
| 1 1/2"   | 5"                 | GUAN59 |
| 2"       | 5"                 | GUAN69 |

### GUAT



| Hub size | Cover opening dia. | Cat. #              |
|----------|--------------------|---------------------|
| 1/2"     | 2"                 | GUAT14 <sup>ⓐ</sup> |
| 3/4"     | 2"                 | GUAT24 <sup>ⓐ</sup> |
| 1/2"     | 3"                 | GUAT16 <sup>ⓐ</sup> |
| 3/4"     | 3"                 | GUAT26 <sup>ⓐ</sup> |
| 1"       | 3"                 | GUAT36 <sup>ⓐ</sup> |
| 1"       | 3 5/8"             | GUAT37              |
| 1 1/4"   | 3 5/8"             | GUAT47 <sup>ⓐ</sup> |
| 1 1/4"   | 5"                 | GUAT49 <sup>ⓐ</sup> |
| 1 1/2"   | 5"                 | GUAT59 <sup>ⓐ</sup> |
| 2"       | 5"                 | GUAT69 <sup>ⓐ</sup> |

### GUAX



| Hub size | Cover opening dia. | Cat. #              |
|----------|--------------------|---------------------|
| 1/2"     | 2"                 | GUAX14              |
| 3/4"     | 2"                 | GUAX24              |
| 1/2"     | 3"                 | GUAX16 <sup>ⓐ</sup> |
| 3/4"     | 3"                 | GUAX26 <sup>ⓐ</sup> |
| 1"       | 3"                 | GUAX36 <sup>ⓐ</sup> |
| 1"       | 3 5/8"             | GUAX37 <sup>ⓐ</sup> |
| 1 1/4"   | 3 5/8"             | GUAX47 <sup>ⓐ</sup> |
| 1 1/4"   | 5"                 | GUAX49 <sup>ⓐ</sup> |
| 1 1/2"   | 5"                 | GUAX59 <sup>ⓐ</sup> |
| 2"       | 5"                 | GUAX69 <sup>ⓐ</sup> |

### GUAM<sup>ⓐ</sup>



| Hub size | Cover opening dia. | Cat. # |
|----------|--------------------|--------|
| 1/2"     | 2"                 | GUAM14 |
| 3/4"     | 2"                 | GUAM24 |
| 1/2"     | 3"                 | GUAM16 |
| 3/4"     | 3"                 | GUAM26 |
| 1"       | 3"                 | GUAM36 |
| 1 1/4"   | 3 5/8"             | GUAM47 |
| 2"       | 5"                 | GUAM69 |

### GUAW



| Hub size | Cover opening dia. | Cat. #              |
|----------|--------------------|---------------------|
| 1/2"     | 2"                 | GUAW14              |
| 3/4"     | 2"                 | GUAW24 <sup>ⓐ</sup> |
| 1/2"     | 3"                 | GUAW16              |
| 3/4"     | 3"                 | GUAW26 <sup>ⓐ</sup> |

<sup>ⓐ</sup> May be ordered with suffix 'SA'; listed for Class I, Divisions 1 & 2, Groups B, C and D, Class II, Division 1, Groups E, F, G and Class III. Covers have 16 pitch threads.

<sup>ⓑ</sup> May be ordered with suffix 'SA' (copper-free aluminum).

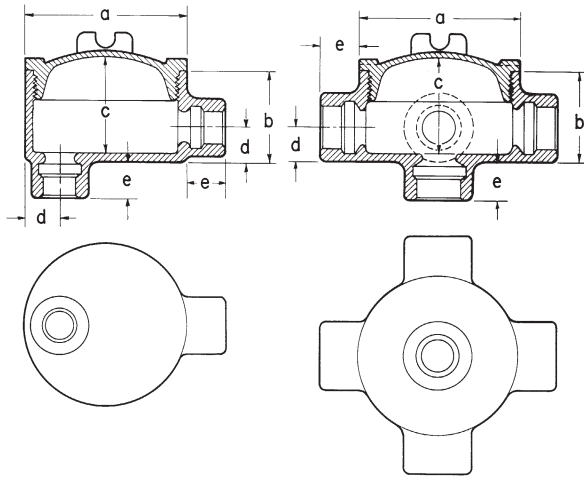
<sup>ⓐ</sup> Not available with suffix 'SA'.

# Condulet GUA conduit outlet boxes with covers

Cl. I, Div. 1 & 2, Groups B, C, D  
 Cl. II, Div. 1, Groups E, F, G  
 Cl. II, Div. 2, Groups F, G  
 Cl. III  
 NEMA 3, 4, 7CD, 9EFG

Explosionproof  
 Dust-ignitionproof  
 Raintight  
 Wet Locations

## Dimensions (in inches):



GUAB only

All others

## GUA, GUAD, GUAM, GUAW, GUAX

| Cat. # | a                             | b                               | c                              | d                              |
|--------|-------------------------------|---------------------------------|--------------------------------|--------------------------------|
| 14     | 2 <sup>1</sup> / <sub>2</sub> | 1 <sup>13</sup> / <sub>16</sub> | 1 <sup>3</sup> / <sub>4</sub>  | <sup>5</sup> / <sub>8</sub>    |
| 24     | 2 <sup>1</sup> / <sub>2</sub> | 2                               | 2                              | <sup>3</sup> / <sub>4</sub>    |
| 16     | 3 <sup>1</sup> / <sub>2</sub> | 2                               | 2 <sup>1</sup> / <sub>16</sub> | <sup>5</sup> / <sub>8</sub>    |
| 26     | 3 <sup>1</sup> / <sub>2</sub> | 2                               | 2 <sup>1</sup> / <sub>16</sub> | <sup>3</sup> / <sub>4</sub>    |
| 36     | 3 <sup>1</sup> / <sub>2</sub> | 2 <sup>5</sup> / <sub>16</sub>  | 2 <sup>3</sup> / <sub>8</sub>  | <sup>7</sup> / <sub>8</sub>    |
| 37     | 4 <sup>1</sup> / <sub>4</sub> | 2 <sup>11</sup> / <sub>16</sub> | 2 <sup>5</sup> / <sub>16</sub> | <sup>7</sup> / <sub>8</sub>    |
| 47     | 4 <sup>1</sup> / <sub>4</sub> | 2 <sup>11</sup> / <sub>16</sub> | 2 <sup>5</sup> / <sub>8</sub>  | 1 <sup>3</sup> / <sub>32</sub> |
| 49     | 5 <sup>3</sup> / <sub>4</sub> | 4 <sup>1</sup> / <sub>32</sub>  | 4 <sup>3</sup> / <sub>16</sub> | 1 <sup>3</sup> / <sub>32</sub> |
| 59     | 5 <sup>3</sup> / <sub>4</sub> | 4 <sup>1</sup> / <sub>32</sub>  | 4 <sup>3</sup> / <sub>16</sub> | 1 <sup>7</sup> / <sub>32</sub> |
| 69     | 5 <sup>3</sup> / <sub>4</sub> | 4 <sup>1</sup> / <sub>32</sub>  | 4 <sup>3</sup> / <sub>16</sub> | 1 <sup>1</sup> / <sub>2</sub>  |

| Hub size  | Dimension 'e' length           |
|---|--------------------------------|
| <sup>1</sup> / <sub>2</sub> " - <sup>3</sup> / <sub>4</sub> " | <sup>7</sup> / <sub>8</sub>    |
| 1" - 1 <sup>1</sup> / <sub>4</sub> "                          | 1                              |
| 1 <sup>1</sup> / <sub>2</sub> " - 2"                          | 1 <sup>1</sup> / <sub>16</sub> |

## GUAC, GUAT

| Cat. # | a                             | b                               | c                              | d                              |
|--------|-------------------------------|---------------------------------|--------------------------------|--------------------------------|
| 14     | 2 <sup>1</sup> / <sub>2</sub> | 2 <sup>1</sup> / <sub>4</sub>   | 2 <sup>3</sup> / <sub>16</sub> | <sup>5</sup> / <sub>8</sub>    |
| 24     | 2 <sup>1</sup> / <sub>2</sub> | 2                               | 2                              | <sup>3</sup> / <sub>4</sub>    |
| 16     | 3 <sup>1</sup> / <sub>2</sub> | 2                               | 2 <sup>1</sup> / <sub>16</sub> | <sup>5</sup> / <sub>8</sub>    |
| 26     | 3 <sup>1</sup> / <sub>2</sub> | 2                               | 2 <sup>1</sup> / <sub>16</sub> | <sup>3</sup> / <sub>4</sub>    |
| 36     | 3 <sup>1</sup> / <sub>2</sub> | 2 <sup>5</sup> / <sub>16</sub>  | 2 <sup>3</sup> / <sub>8</sub>  | <sup>7</sup> / <sub>8</sub>    |
| 37     | 4 <sup>1</sup> / <sub>4</sub> | 2 <sup>11</sup> / <sub>16</sub> | 2 <sup>5</sup> / <sub>16</sub> | <sup>7</sup> / <sub>8</sub>    |
| 47     | 4 <sup>1</sup> / <sub>4</sub> | 2 <sup>11</sup> / <sub>16</sub> | 2 <sup>5</sup> / <sub>8</sub>  | 1 <sup>3</sup> / <sub>32</sub> |
| 49     | 5 <sup>3</sup> / <sub>4</sub> | 4 <sup>1</sup> / <sub>32</sub>  | 4 <sup>3</sup> / <sub>16</sub> | 1 <sup>3</sup> / <sub>32</sub> |
| 59     | 5 <sup>3</sup> / <sub>4</sub> | 4 <sup>1</sup> / <sub>32</sub>  | 4 <sup>3</sup> / <sub>16</sub> | 1 <sup>7</sup> / <sub>32</sub> |
| 69     | 5 <sup>3</sup> / <sub>4</sub> | 4 <sup>1</sup> / <sub>32</sub>  | 4 <sup>3</sup> / <sub>16</sub> | 1 <sup>1</sup> / <sub>2</sub>  |

## GUAN

| Cat. # | a                             | b                               | c                              | d                              |
|--------|-------------------------------|---------------------------------|--------------------------------|--------------------------------|
| 14     | 2 <sup>1</sup> / <sub>2</sub> | 2 <sup>1</sup> / <sub>8</sub>   | 2 <sup>1</sup> / <sub>16</sub> | <sup>5</sup> / <sub>8</sub>    |
| 24     | 2 <sup>1</sup> / <sub>2</sub> | 2 <sup>5</sup> / <sub>16</sub>  | 2 <sup>1</sup> / <sub>4</sub>  | <sup>3</sup> / <sub>4</sub>    |
| 16     | 3 <sup>1</sup> / <sub>2</sub> | 2                               | 2 <sup>1</sup> / <sub>16</sub> | <sup>5</sup> / <sub>8</sub>    |
| 26     | 3 <sup>1</sup> / <sub>2</sub> | 2                               | 2 <sup>1</sup> / <sub>16</sub> | <sup>3</sup> / <sub>4</sub>    |
| 36     | 3 <sup>1</sup> / <sub>2</sub> | 2 <sup>5</sup> / <sub>16</sub>  | 2 <sup>3</sup> / <sub>8</sub>  | <sup>7</sup> / <sub>8</sub>    |
| 47     | 4 <sup>1</sup> / <sub>4</sub> | 2 <sup>11</sup> / <sub>16</sub> | 2 <sup>5</sup> / <sub>8</sub>  | 1 <sup>3</sup> / <sub>32</sub> |
| 59     | 5 <sup>3</sup> / <sub>4</sub> | 4 <sup>1</sup> / <sub>32</sub>  | 4 <sup>3</sup> / <sub>16</sub> | 1 <sup>7</sup> / <sub>32</sub> |
| 69     | 5 <sup>3</sup> / <sub>4</sub> | 4 <sup>1</sup> / <sub>32</sub>  | 4 <sup>3</sup> / <sub>16</sub> | 1 <sup>1</sup> / <sub>2</sub>  |

## GUAB, GUAL

| Cat. # | a                             | b                               | c                              | d                              |
|--------|-------------------------------|---------------------------------|--------------------------------|--------------------------------|
| 14     | 2 <sup>1</sup> / <sub>2</sub> | 2 <sup>1</sup> / <sub>4</sub>   | 2 <sup>3</sup> / <sub>16</sub> | <sup>5</sup> / <sub>8</sub>    |
| 24     | 2 <sup>1</sup> / <sub>2</sub> | 2 <sup>1</sup> / <sub>2</sub>   | 2 <sup>1</sup> / <sub>16</sub> | <sup>3</sup> / <sub>4</sub>    |
| 16     | 3 <sup>1</sup> / <sub>2</sub> | 2                               | 2 <sup>1</sup> / <sub>16</sub> | <sup>5</sup> / <sub>8</sub>    |
| 26     | 3 <sup>1</sup> / <sub>2</sub> | 2                               | 2 <sup>1</sup> / <sub>16</sub> | <sup>3</sup> / <sub>4</sub>    |
| 36     | 3 <sup>1</sup> / <sub>2</sub> | 2 <sup>5</sup> / <sub>16</sub>  | 2 <sup>3</sup> / <sub>8</sub>  | <sup>7</sup> / <sub>8</sub>    |
| 47     | 4 <sup>1</sup> / <sub>4</sub> | 2 <sup>11</sup> / <sub>16</sub> | 2 <sup>5</sup> / <sub>8</sub>  | 1 <sup>3</sup> / <sub>32</sub> |
| 49     | 5 <sup>3</sup> / <sub>4</sub> | 4 <sup>1</sup> / <sub>32</sub>  | 4 <sup>3</sup> / <sub>16</sub> | 1 <sup>3</sup> / <sub>32</sub> |
| 59     | 5 <sup>3</sup> / <sub>4</sub> | 4 <sup>1</sup> / <sub>32</sub>  | 4 <sup>3</sup> / <sub>16</sub> | 1 <sup>7</sup> / <sub>32</sub> |
| 69     | 5 <sup>3</sup> / <sub>4</sub> | 4 <sup>1</sup> / <sub>32</sub>  | 4 <sup>3</sup> / <sub>16</sub> | 1 <sup>1</sup> / <sub>2</sub>  |

Ⓕ May be ordered with suffix 'SA'; listed for Class I, Divisions 1 & 2, Groups B, C and D, Class II, Division 1, Groups E, F, G and Class III. Covers have 16 pitch threads.

# Condulet GUA conduit outlet boxes

## Covers and accessories

### Applications:

Threaded covers, canopies and extensions are used:

- To provide a seal in hazardous areas (sealing cover); *see note below*
- To mount pendant lighting fixtures such as EVA series (fixture canopy)
- To mount EVA pendant lighting fixtures on cover which is then screwed into outlet box without twisting conductors (union hub cover)
- To mount pendant lighting fixtures on cover which is then screwed into outlet box as above, for wiring after fixture stem is installed (nipple cover)
- To provide means of increasing outlet box depth (threaded extension)

### Features:

- Surface covers are supplied with GUA boxes
- Sealing cover has removable plug for filling enclosure with sealing compound after installation; sealing cover meets 40% fill requirement of the NEC; *see note below*
- Fixture canopy has a threaded cover in its side to provide access for making splices or taps; fixture with its conduit stem and canopy can be assembled and wired before installation and conductors can be spliced in canopy after it has been screwed into the body
- Cover threads are 12 pitch unless otherwise specified

### Standard materials:

- Surface and dome covers, union hub covers, nipple covers – copper-free aluminum
- Sealing covers, fixture canopies, threaded extensions – Feraloy iron alloy

### Standard finishes:

- Aluminum – natural
- Feraloy iron alloy – electrogalvanized and aluminum acrylic paint

### Options:

- |                                     |               |
|-------------------------------------|---------------|
| <b>Description</b>                  | <b>Suffix</b> |
| • Corro-free epoxy powder coat..... | <b>S752</b>   |
| • Iron surface cover.....           | <b>WOD</b>    |

### Size ranges:

- Fixture stems – 3/4"
- Body openings – 2" to 5"

**Note:** Depth of sealing compound in body must satisfy requirements of NEC Section 501.15(C)(3). Splices and taps in sealing fittings are prohibited by NEC.

### Ordering information:

#### GUA threaded extension



| Cover opening dia. | Ext. depth | Cat. #  |
|--------------------|------------|---------|
| 3"                 | 1 1/4"     | GUA0631 |



| GUA cover opening | Cat. # Replacement o-ring gasket |
|-------------------|----------------------------------|
| 2"                | GASK1713                         |
| 3"                | GASK1151                         |
| 3 5/8"            | GASK1589                         |
| 5"                | GASK925                          |

#### Surface cover



| Cover opening dia. | Thread pitch | Cat. #                |
|--------------------|--------------|-----------------------|
| 2"                 | 12           | GUA04                 |
| 3"                 | 12           | GUA06                 |
| 3"                 | 16           | GUA06 GB <sup>ⓐ</sup> |
| 3 5/8"             | 12           | GUA07                 |
| 5"                 | 12           | GUA09                 |
| 5"                 | 16           | GUA09 GB <sup>ⓐ</sup> |

#### Dome cover



| Cover opening dia. | Ext. depth | Thread pitch | Cat. #  |
|--------------------|------------|--------------|---------|
| 2"                 | 2"         | 12           | GUA047  |
| 3"                 | 2"         | 12           | GUA067  |
| 3 5/8"             | 2"         | 12           | GUA077  |
| 3 5/8"             | 4"         | 12           | GUA0716 |
| 5"                 | 4"         | 12           | GUA514  |
| 5"                 | 10"        | 12           | GUA5110 |

#### Sealing cover



| Cover opening dia. | Thread pitch | Cat. #                 |
|--------------------|--------------|------------------------|
| 2"                 | 12           | GUA041                 |
| 3"                 | 12           | GUA062                 |
| 3"                 | 16           | GUA062 GB <sup>ⓐ</sup> |
| 3 5/8"             | 12           | GUA072                 |
| 5"                 | 12           | GUA092                 |

#### Nipple cover



| Cover opening dia. | Fixt. stem size | Thread pitch | Cat. #  |
|--------------------|-----------------|--------------|---------|
| 3"                 | 3/4"            | 12           | GUA0672 |

#### Fixture cover Union hub type



| Cover opening dia. | Fixt. stem size | Thread pitch | Cat. #  |
|--------------------|-----------------|--------------|---------|
| 3"                 | 3/4"            | 12           | GUA0687 |

#### Fixture canopy



| Cover opening dia. | Fixt. stem size | Thread pitch | Cat. # |
|--------------------|-----------------|--------------|--------|
| 3"                 | 3/4"            | 12           | GUA068 |

<sup>ⓐ</sup>GUA covers with suffix 'GB' are used with Group B rated GUA aluminum bodies identified with symbols <sup>Ⓐ</sup><sup>Ⓑ</sup> or <sup>Ⓒ</sup><sup>Ⓓ</sup> on pages 52-53.

# Condulet GUA conduit outlet boxes

Factory installed terminal block ordering guide

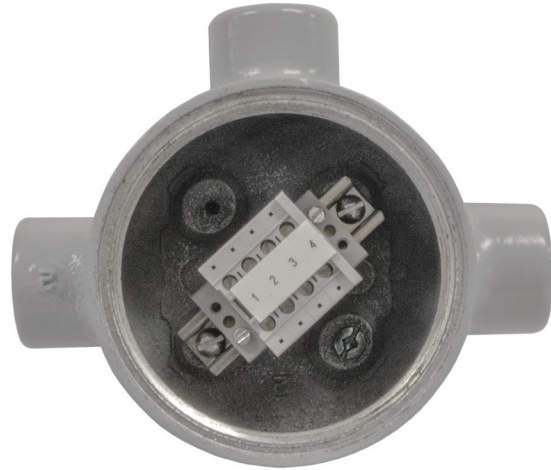
## Ordering information:

### DIN rail mounted terminal blocks

#### Electrical specifications:

30A, 150V, AWG 26-10

| Cat. # | Description   |
|--------|---|
| DIN12  | DIN rail mounted, 2 terminal blocks<br>GUA (shapes C, L, T, X)<br>Form 4, 6, 7 & 9 cover diameter openings      |
| DIN13  | DIN rail mounted, 3 terminal blocks<br>GUA (shapes C, L, T, X)<br>Form 4, 6, 7 & 9 cover diameter openings      |
| DIN14  | DIN rail mounted, 4 terminal blocks<br>GUA (shapes C, L, T, X)<br>Form 6, 7 & 9 cover diameter openings         |
| DIN16  | DIN rail mounted, 6 terminal blocks<br>GUA (shapes C, L, T, X), GUAN26<br>Form 6, 7 & 9 cover diameter openings |
| DIN18  | DIN rail mounted, 8 terminal blocks<br>GUA (shapes C, L, T, X)<br>Form 7 & 9 cover diameter opening             |
| DIN112 | DIN rail mounted, 12 terminal blocks<br>GUA (shapes C, L, T, X)<br>Form 9 cover diameter opening                |

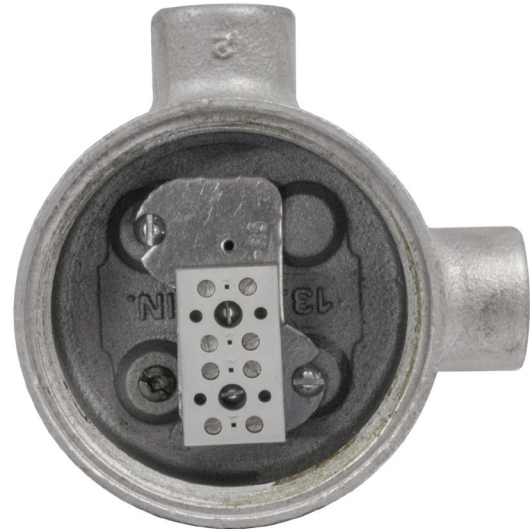


### Direct mounted terminal blocks

#### Electrical specifications:

30A, 300V, AWG 26-10

| Cat. # | Description  |
|--------|--|
| TB14   | Direct mounted terminal block, 4 poles<br>GUA (shapes C, L, T, X)<br>Form 6, 7 & 9 cover diameter openings |
| TB16   | Direct mounted terminal block, 6 poles<br>GUA (shapes C, L, T, X)<br>Form 6, 7 & 9 cover diameter openings |
| TB18   | Direct mounted terminal block, 8 poles<br>GUA (shapes C, L, T, X)<br>Form 7 & 9 cover diameter opening     |
| TB112  | Direct mounted terminal block, 12 poles<br>GUA (shapes C, L, T, X)<br>Form 9 cover diameter opening        |



#### Bogotá Sala de Ventas

Carrera 12 No 13 - 46  
PBX: 6013360755 - 6013412439  
Celular: 312 3055335

#### Centro de Distribución

Carrera 18 No 19A - 36  
PBX: 6013360755 EXT: 2101

