

# Condulet FS and FD single-gang device boxes – cast iron or aluminum

See pages 39-47 for accessories

With and without mounting lugs for threaded rigid and IMC conduit

## Applications:

Cast device boxes are installed to:

- Accommodate wiring devices
- Act as pull boxes for conductors in a conduit system
- Provide openings to make splices and taps in conductors
- Provide access to conductors for maintenance and future system changes
- Connect conduit sections
- FSY boxes for mounting surface devices on floor or bench (used with single gang covers)

## Features:

- Internal green ground screw standard on boxes
- Suitable for use in wet locations when used with gasketed covers
- Mounting lugs standard on most boxes
- Tapered threaded hubs (NPT) with integral bushing
- Available for surface mounting (with mounting lugs) or flush mounting (without mounting lugs) as listed
- Available as shallow (FS) or deep (FD) configuration; use FD if device to be enclosed exceeds 1 5/8" in depth
- Ample wiring room provided in either FS or FD configuration
- Wide selection of surface or flush covers available in three materials (sheet steel, Feraloy, aluminum)
- Covers for flush mounting extend to conceal the rough plaster line
- Available in single gang and multi-gang configurations with hubs, and as blank bodies for drilled and tapped openings

## Certifications and compliances:

- UL standard: 514A
- ANSI standard: C33.84
- Fed. Spec.: W-C-5860
- CSA standard: C22.2 No. 18

## Standard materials:

- Feraloy iron alloy or copper-free aluminum

## Standard finishes:

- Feraloy – electrogalvanized and aluminum acrylic paint
- Aluminum – natural

## Options:

Description	Suffix
• Corro-free epoxy powder coat, external.....	<b>S752</b>
• Corro-free epoxy powder coat, internal and external.....	<b>S753</b>
• Hot dip galvanized .....	<b>HDG</b>

## Size ranges:

- Hubs – 1/2" to 1"

## Ordering information:

### FS/FD<sup>ⓐ</sup>



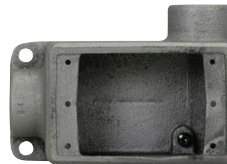
Hub size	Cat. #	Cat. #
1/2"	<b>FS1<sup>ⓐ</sup></b>	<b>FD1<sup>ⓐ</sup></b>
3/4"	<b>FS2<sup>ⓐ</sup></b>	<b>FD2<sup>ⓐ</sup></b>
1"	<b>FS3<sup>ⓐ</sup></b>	<b>FD3<sup>ⓐ</sup></b>

### FSL/FDL



Hub size	Cat. #	Cat. #
1/2"	<b>FSL1</b>	<b>FDL1</b>
3/4"	<b>FSL2</b>	<b>FDL2</b>

### FSR/FDR



Hub size	Cat. #	Cat. #
1/2"	<b>FSR1</b>	<b>FDR1</b>
3/4"	<b>FSR2</b>	<b>FDR2</b>

### Die cast aluminum<sup>ⓐ</sup>



Hub size	Cat. #	Cat. #
1/2"	<b>FS1 SA</b>	<b>FSC1 SA</b>
3/4"	<b>FS2 SA</b>	<b>FSC2 SA</b>

### FSC/FDC<sup>ⓐ</sup>



Hub size	Cat. #	Cat. #
1/2"	<b>FSC1<sup>ⓐ</sup></b>	<b>FDC1<sup>ⓐ</sup></b>
3/4"	<b>FSC2<sup>ⓐ</sup></b>	<b>FDC2<sup>ⓐ</sup></b>
1"	<b>FSC3<sup>ⓐ</sup></b>	<b>FDC3<sup>ⓐ</sup></b>

<sup>ⓐ</sup> Available in sand cast copper-free aluminum. To order, add suffix 'SCA' to end of catalog number.

<sup>ⓑ</sup> Available in copper-free aluminum. To order, add suffix 'SA' to end of catalog number.

<sup>ⓒ</sup> Compatible with select hinged and open front control station covers in Section 4C.

<sup>ⓓ</sup> Mounting lugs and ground screw are not offered with standard die cast aluminum box. For sand cast aluminum box with mounting lugs and ground screw, change 'SA' in catalog number to 'SCA.' For example: FS1 SCA.

# Condulet FS and FD single-gang device boxes – cast iron or aluminum

With and without mounting lugs for threaded rigid and IMC conduit

See pages 39-47 for accessories

## Ordering information (continued):

### FSA/FDA<sup>ⓐ</sup>



Hub size	Cat. #	Cat. #
1/2"	FSA1	FDA1
3/4"	FSA2	FDA2

### FSSA<sup>ⓐ</sup>



Hub size	Cat. #
3/4"	FSSA2

### FSLA/FDLA<sup>ⓐ</sup>



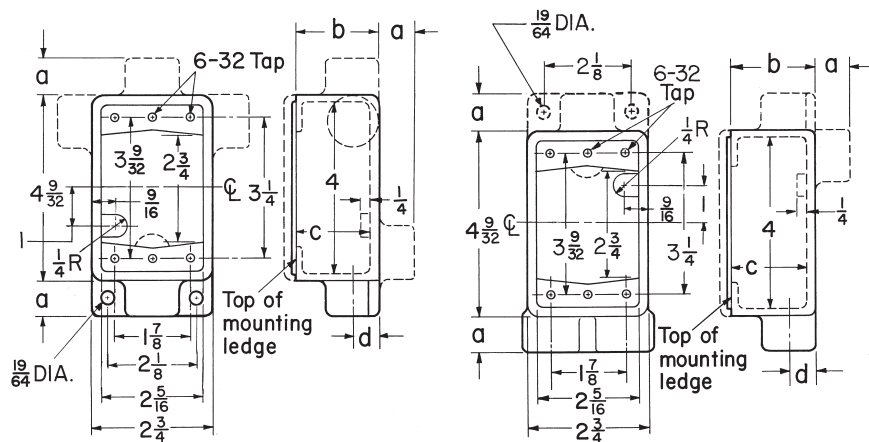
Hub size	Cat. #	Cat. #
1/2"	FSLA1	FDLA1
3/4"	FSLA2	FDLA2

### FSS/FDD<sup>ⓐ</sup>



Hub size	Cat. #	Cat. #
1/2"	FSS1 <sup>ⓐ</sup>	FDD1
3/4"	FSS2 <sup>ⓐ</sup>	FDD2 <sup>ⓐ</sup>
1"	FSS3	FDD3

## Dimensions (in inches):



### FSCC/FDCC



Hub size	Cat. #	Cat. #
1/2"	FSCC1	FDCC1
3/4"	FSCC2	FDCC2

### FSCA<sup>ⓐ</sup>



Hub size	Cat. #
1/2"	FSCA1
3/4"	FSCA2

Series	Hub size	a	b	c	d
FS	1/2"	7/8	1 1/8	1 11/16	5/8
	3/4"	7/8	1 1/8	1 11/16	3/4
	1"	1	1 1/8	1 11/16	7/8
FD	1/2"	7/8	2 11/16	2 1/2	5/8
	3/4"	7/8	2 11/16	2 1/2	3/4
	1"	1	2 11/16	2 1/2	7/8

<sup>ⓐ</sup> Mounting lugs not available.

<sup>ⓑ</sup> Back entry hub is threaded.

<sup>ⓒ</sup> Available in copper-free aluminum. To order, add suffix 'SA' to end of catalog number.

# Condulet FS and FD single-gang device boxes – cast iron or aluminum

See pages 39-47 for accessories

With and without mounting lugs for threaded rigid and IMC conduit

## Ordering information (continued):

### FSCT/FDCT



Hub size	Cat. #	Cat. #
1/2"	FSCT1	FDCT1
3/4"	FSCT2 <sup>H</sup>	FDCT2 <sup>H</sup>
1"	FSCT3	FDCT3

### FSY



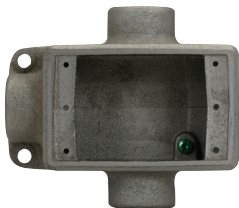
Description	Hub size	Cat. #
Single face	1"	FSY311
Double face	1"	FSY312

### FDXC



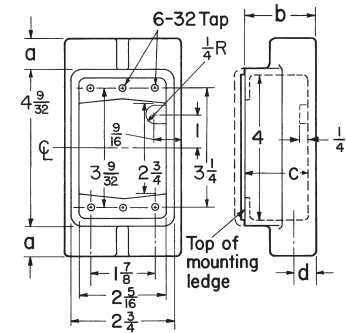
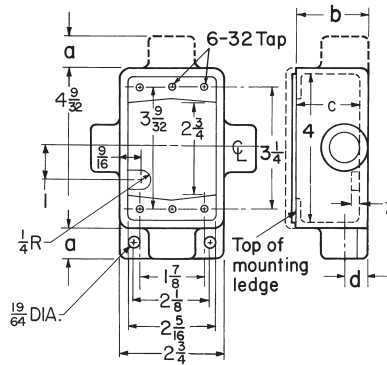
Hub size	Cat. #
3/4"	FDXC219

### FST/FDT



Hub size	Cat. #	Cat. #
1/2"	FST1	FDT1
3/4"	FST2 <sup>H</sup>	FDT2
1"	FST3	FDT3

## Dimensions (in inches):

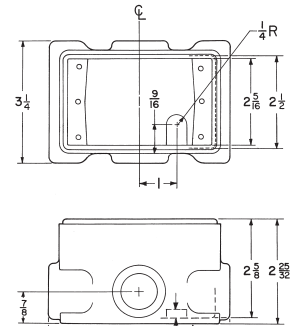
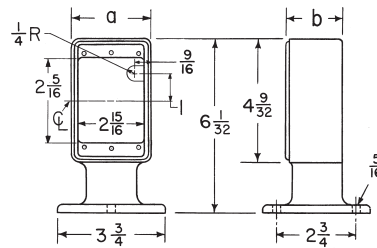


### FSX/FDX



Hub size	Cat. #	Cat. #
1/2"	FSX1	FDX1
3/4"	FSX2	FDX2
1"	FSX3	FDX3

### FSCT, FSX, FST, FSCD



### FSCD



Hub size	Cat. #
1/2"	FSCD1
3/4"	FSCD2

## FSCT, FSX, FST, FSCD

Series	Hub size	a	b	c	d
FS	1/2"	7/8	1 1/8	1 11/16	5/8
	3/4"	7/8	1 1/8	1 11/16	3/4
	1"	1	1 1/8	1 11/16	7/8

## FSY

Description	Hub size	a	b
Single-gang, single face	1"	2 3/4	1 15/16
Single-gang, double face	1"	2 3/4	3 3/8

<sup>H</sup> Available in copper-free aluminum. To order, add suffix 'SA' to end of catalog number.

<sup>1</sup> Not available with mounting lugs.

<sup>2</sup> Six hubs – all 3/4" pipe tap.

# Condulet FS single-gang device boxes – cast iron or aluminum

With and without mounting lugs

See pages 39-47 for  
accessories

## Ordering information (continued):

### FS double face<sup>Ⓚ</sup>



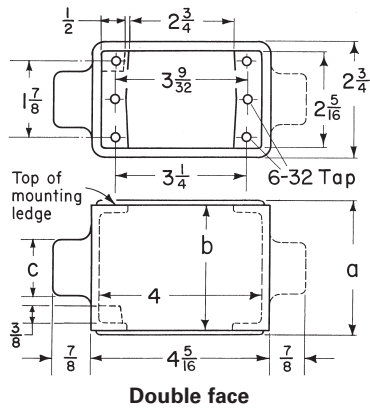
Hub size	Cat. #
1/2"	FS152
3/4"	FS252

### FSC double face<sup>Ⓚ</sup>



Hub size	Cat. #
1/2"	FSC152
3/4"	FSC252

## Dimensions (in inches):



Series	Hub size	a	b	c
FS	1/2"	3 <sup>5</sup> / <sub>16</sub>	3 <sup>1</sup> / <sub>2</sub>	1 <sup>1</sup> / <sub>4</sub>
	3/4"	3 <sup>11</sup> / <sub>16</sub>	3 <sup>1</sup> / <sub>2</sub>	1 <sup>1</sup> / <sub>2</sub>

<sup>Ⓚ</sup>Mounting lugs not available.

# Condulet FS and FD multi-gang device boxes – cast iron or aluminum

See pages 39-47 for accessories

With and without mounting lugs for threaded rigid and IMC conduit

## Ordering information:

### FS two-gang tandem<sup>Ⓐ</sup>



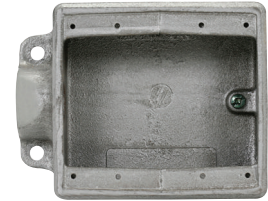
Hub size	Cat. #
1/2"	FS17
3/4"	FS27

### FSC two-gang tandem<sup>Ⓐ</sup>



Hub size	Cat. #
1/2"	FSC17
3/4"	FSC27

### FSE two-gang



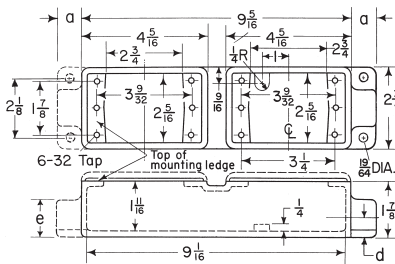
Hub size	Cat. #
3/4"	FSE22

### FS/FD two-gang

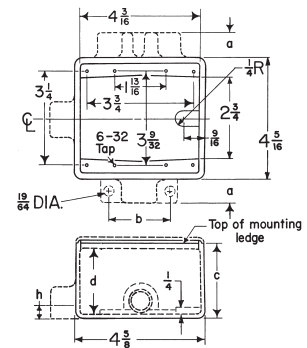


Hub size	Cat. #	Cat. #
1/2"	FS12 <sup>Ⓑ</sup>	FD12
3/4"	FS22 <sup>Ⓑ</sup>	FD22 <sup>Ⓑ</sup>
1"	FS32	FD32

### Dimensions (in inches):



Two-gang tandem



Two-gang

### FSC/FDC two-gang



Hub size	Cat. #	Cat. #
1/2"	FSC12	FDC12
3/4"	FSC222	FDC222 <sup>Ⓑ</sup>
1"	FSC32	FDC32

### Two-gang tandem

Series	Hub size	a	d	e
FS	1/2"	7/8	5/8	1 1/4
	3/4"	7/8	3/4	1 1/2

### Two-gang

Series	Hub size	a	b	c	d	h
FS	1/2"	7/8	2 1/4	1 1/8	1 11/16	5/8
	3/4"	7/8	2 1/4	1 1/8	1 11/16	3/4
	1"	1	2 1/2	1 1/8	1 11/16	7/8
FD	1/2"	7/8	2 1/4	2 11/16	2 1/2	5/8
	3/4"	7/8	2 1/4	2 11/16	2 1/2	3/4
1"	1	2 1/2	2 11/16	2 1/2	7/8	

<sup>Ⓐ</sup> Use single-gang covers only.

<sup>Ⓑ</sup> Available in copper-free aluminum. To order, add suffix 'SA' to end of catalog number.

# Condulet FS and FD multi-gang device boxes – cast iron or aluminum

With and without mounting lugs for threaded rigid and IMC conduit

See pages 39-47 for accessories

## Ordering information (continued):

### FSS/FDS two-gang



Hub size	Cat. #	Cat. #
$\frac{3}{4}$ "	FSS222	FDS222

### FSD two-gang



Hub size	Cat. #
$\frac{3}{4}$ "	FSD212 <sup>Ⓢ</sup>

### FS/FD three-gang



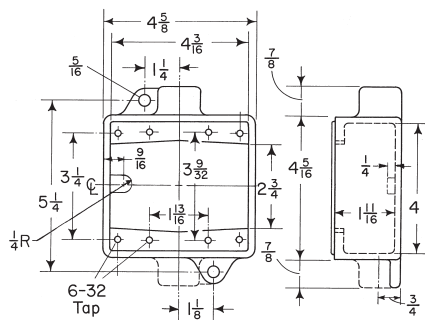
Hub size	Cat. #	Cat. #
$\frac{3}{4}$ "	FS23	FD23
1"	FS33	

### FSS three-gang

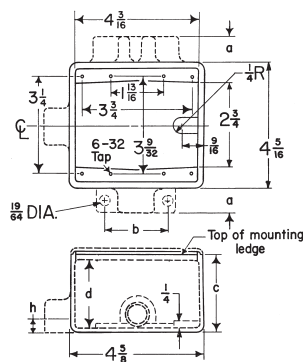


Hub size	Cat. #
$\frac{3}{4}$ "	FSS23

## Dimensions (in inches):



Two-gang with mounting lugs



Three-gang

## Three-gang

Series	Hub size	a	c	d
FS	$\frac{3}{4}$ "	$\frac{7}{8}$	$1\frac{1}{8}$	$1\frac{11}{16}$
	1"	1	$1\frac{1}{8}$	$1\frac{11}{16}$
FD	$\frac{3}{4}$ "	$\frac{7}{8}$	$2\frac{11}{16}$	$2\frac{1}{2}$

<sup>Ⓢ</sup>Hubs on two hub side are  $\frac{1}{8}$ ".

# Condulet FS and FD blank device boxes – cast iron

See pages 39-47 for  
accessories

Blank bodies with mounting lugs for drilling and tapping  
Single-gang, multi-gang, tandem

## Applications:

Blank cast device boxes are used:

- Where several wiring devices are to be grouped together
- To assemble special combinations of wiring devices
- Where special arrangements of conduit hubs or entrances are required

## Features:

- Available in shallow (FS) or deep (FD) configurations
- FS/FD bodies have thick walls for drilling and tapping conduit entrances
- Internal green ground screw standard on boxes
- Available in single-, two-, three-, four- and five-gang, and two-gang tandem bodies
- Cast mounting lugs at diagonally opposite corners
- For a wide selection of standard surface or flush covers, see pages 39-47

## Certifications and compliances:

- UL standard: 514A
- CSA standard: C22.2 No. 18

## Standard material:

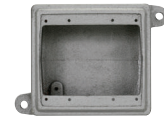
- Feraloy iron alloy

## Standard finish:

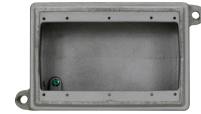
- Feraloy – electrogalvanized and aluminum acrylic paint



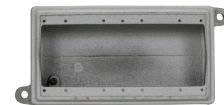
FS019, FD019 – single-gang



FS062, FD062 – two-gang



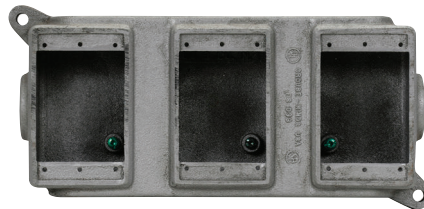
FS063, FD063 – three-gang



FS094, FD094 – four-gang



FS029, FD029 – two-gang



FS039, FD039 – three-gang



FS097, FD097 – two-gang tandem



FD04 – four-gang



FD05 – five-gang

## Ordering information:

Description	Cat. # Shallow	Cat. # Deep
Single-gang	FS019	FD019
Two-gang	FS029	FD029
Three-gang	FS039	FD039 <sup>A</sup>
Four-gang		FD04
Five-gang		FD05
Two-gang (takes one two-gang cover)	FS062	FD062
Three-gang (takes one three-gang cover)	FS063	FD063
Four-gang (takes one four-gang cover)	FS094	FD094
Two-gang tandem	FS097	FD097

<sup>A</sup> Available in copper-free aluminum. To order, add suffix 'SA' to end of catalog number.

# Condulet FS and FD blank device boxes – cast iron

Blank bodies for drilling and tapping  
Single-gang, multi-gang, tandem

## Ordering information:

To order one of the blank bodies with drilled and tapped holes listed on page 33, proceed as follows:

### Step 1

Select the required box.

### Step 2

Select the arrangement that meets the requirements from Table 1.

### Step 3

Determine the maximum size and spacing of conduit openings from Table 2.

### Step 4

Substitute the appropriate symbol from Table 4 for each conduit entrance, using "0" (zero) for those locations on arrangement where an entrance is not required.

### Example:

Step 1 – box required FS062

Step 2 – arrangement 1

Step 3 – conduit entrances – 1/2" at 'a'; none at 'b'; 1" at 'c' and 'd'; none at 'e' and 'f.'

Step 4 – symbols are substituted and written in alphabetical order starting with location 'a.' For this example: A0CC00.

Complete catalog number is made up of three parts:

Part 1 – box number;

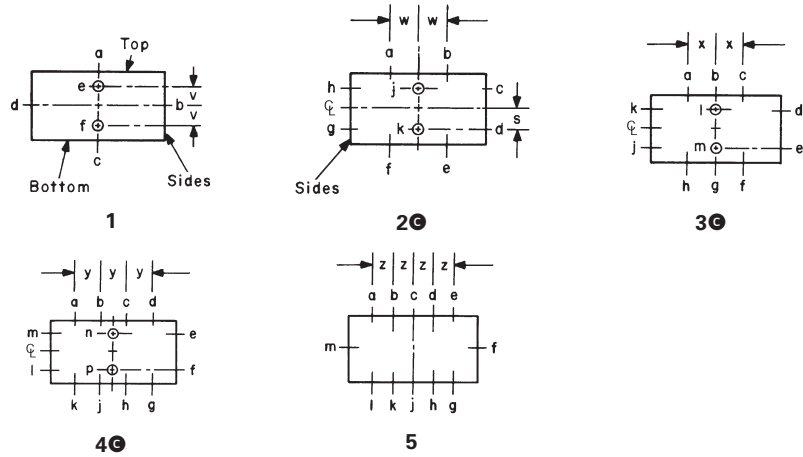
Part 2 – arrangement number;

Part 3 – symbols for conduit entrances.

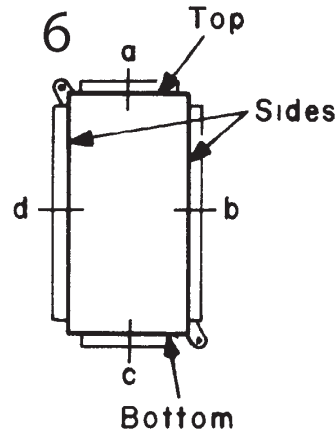
For this example: FS062-1-A0CC00.

## Table 1 – Drilling and tapping arrangements: ⑥

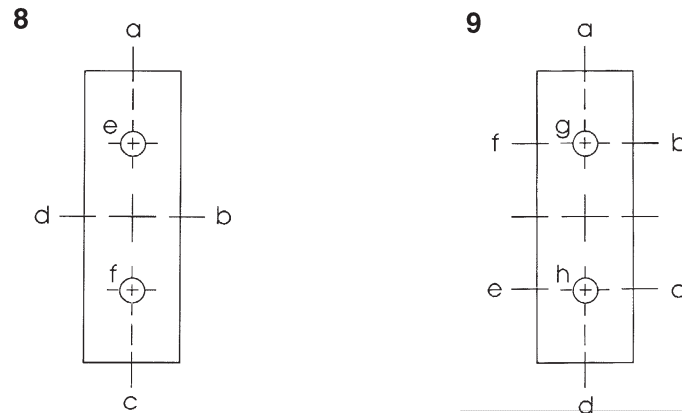
### Two-, three-, four- and five-gang



### Single-gang only (FS or FD019)



### Two-gang tandem (FS or FD097)



⑥ Drilling and tapping arrangements other than those in Table 1 are available. Consult Eaton's Crouse-Hinds Division.

⑦ If only one conduit entry is specified or permitted (see Table 2) on a side wall, that conduit entry will be centered on the wall.



# Condulet FS and FD

## cast device boxes

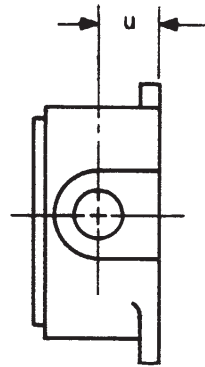
Blank bodies for drilling and tapping  
Single-gang, multi-gang, tandem

**Table 2 – Maximum number, size and spacing of conduit openings:**

Cat. #	Maximum conduit opening size													
	Top and bottom					Sides		Back	Spacings					
	1	2	3	4	5	1	2	2	s	v	w	x	y	z
FS019	1					1								
FD019	1 1/2					1 1/2								
FS029	1	1	1	3/4		1					1/8	1/8	1 5/16	
FD029	1 1/2	1 1/2	1	3/4		1 1/2					1/8	1/8	1 5/16	
FS039	1	1	1	1	1	1					3/4	3/4	2 1/2	1 1/8
FD039	1 1/2	1 1/2	1 1/2	1 1/2	1	1 1/2					3/4	3/4	2 1/2	1 1/8
FD04	1 1/2	1 1/2	1 1/2	1 1/2		1 1/2	1	1		1 3/16	1/8	3/4	3/4	
FD05	1 1/2	1 1/2	1 1/2	1 1/2	1 1/2	1 1/2	1	1		1 3/16	3/4	3/4	3 3/4	3 3/4
FS062	1	1	3/4			1	1	1		1 1/4	29/32	1 5/8		
FD062	1 1/2	1 1/4	3/4			1 1/2	1	1 1/4	1	1	1	1 3/8		
FS063	1	1	1	3/4		1	1	1		1 1/4	1 13/16	1 13/16	1 5/8	
FD063	1 1/2	1 1/4	1	3/4		1 1/2	1	1 1/4	1	1	1 13/16	2	1 1/8	
FS094	1	1	1	1	3/4	1	1	1		1 1/4	1 13/16	1 13/16	1 13/16	1 5/8
FD094	1 1/2	1 1/2	1 1/2	1	3/4	1 1/2	1	1		1 1/8	1 1/2	2 5/8	1 13/16	1 5/8
FS097	1	1 1/2				1	1	1 1/2		1 5/16	3/4			
FD097	1 1/2	1 1/2				1 1/2	1 1/2	1 1/2		1 5/16	3/4			

**Table 3 – Distance from mounting surface to center line of conduit opening ('u'):**

Cat. #	u
FS019	29/32
FD019	1 3/8
FS029	29/32
FD029	1 3/8
FS039	31/32
FD039	1 3/8
FD04	1 9/16
FD05	1 9/16
FS062	1 5/32
FD062	1 5/8
FS063	1 5/32
FD063	1 5/8
FS094	1 5/32
FD094	1 9/16
FS097	1 5/32
FD097	1 9/16



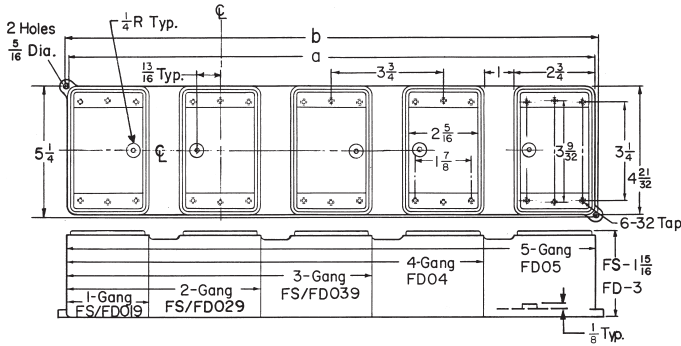
**Table 4 – Symbols for openings:**

Hub size	Symbol
1/2"	A
3/4"	B
1"	C
1 1/4"	E
1 1/2"	F
None	0

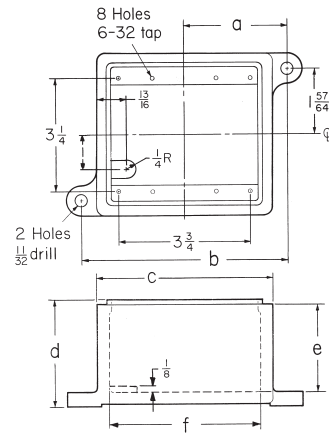
# Condulet FS and FD cast device boxes

Blank bodies for drilling and tapping  
Single-gang, multi-gang, tandem

## Dimensions (in inches):

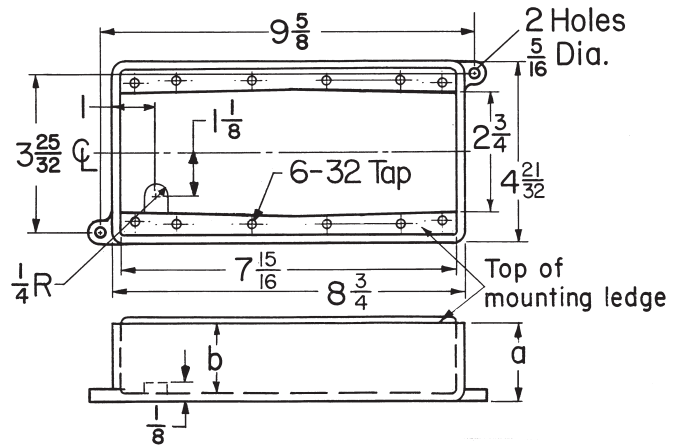


Cat. #	a	b
FS/FD019	3/4	3/4
FS/FD029	7	7
FS/FD039	10 3/4	10 3/4
FD04	14 7/8	15
FD05	18 7/8	18 3/4



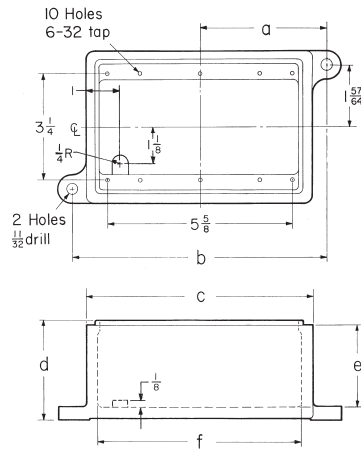
FS/FD062

Cat. #	a	b	c	d	e	f
FS062	2 7/8	5 3/4	5	2 7/16	1 1/2	4 7/8
FD062	2 15/16	5 7/8	5 1/16	3 1/16	2 1/2	4 5/16



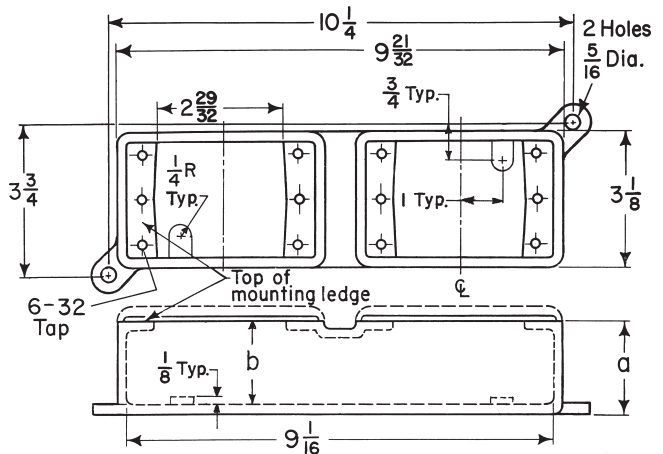
FS/FD094

Cat. #	a	b
FS094	2 7/16	1 45/64
FD094	3	2 1/2



FS/FD063

Cat. #	a	b	c	d	e	f
FS063	3 13/16	7 7/8	6 7/8	2 7/16	1 1/2	6 1/4
FD063	3 7/8	7 1/4	7 1/16	3 1/32	2 1/2	6 7/16



FS/FD097

Cat. #	a	b
FS097	2 7/32	1 1/2
FD097	2 7/32	2 7/16

# Cast device boxes

## FS & FD boxes

### Applications:

Cast device boxes are installed to:

- Accommodate wiring devices
- Act as pull boxes for conductors in a conduit system
- Provide openings to make splices and taps in conductors
- Use indoors and outdoors
- Use in applications where boxes may be subjected to rough use

### Features:

- Green ground screw is located on the flange of the box for easy ground wire termination and is standard on boxes
- Suitable for use in wet locations when used with gasket and flat blank covers
- Mounting lugs standard
- Tapered threaded hubs (NPT) with integral bushing
- Available as shallow (FS) or deep (FD) configuration
- Ample wiring room provided in either FS or FD configuration
- Wide selection of surface or flush covers available in three materials (sheet malleable, steel, aluminum)
- Malleable iron construction provides high tensile strength for strong, dependable service
- Covers are individually bagged and supplied with screws



### Standard material:

- Malleable iron

### Standard finish:

- Malleable iron – zinc electroplate

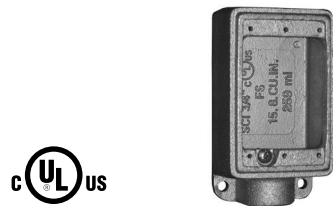
### Options:

- |                            |               |
|----------------------------|---------------|
| <b>Description</b>         | <b>Suffix</b> |
| • Hot dip galvanized ..... | <b>HDG</b>    |

### Certifications and compliances:

- cULus
- cCSAus

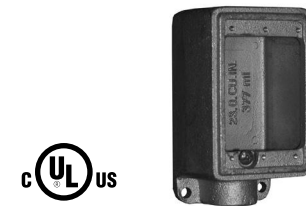
### FS BOXES



FSM1

Cat. #	Size	Unit qty.	Wt. lbs. per 100
FSM1	1/2"	5	222
FSM2	3/4"	5	234
FSM3	1"	5	243

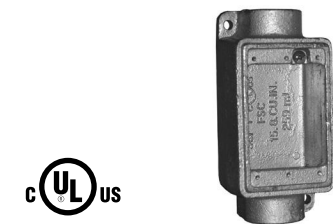
### FD BOXES



FDM1

Cat. #	Size	Unit qty.	Wt. lbs. per 100
FDM1	1/2"	2	278
FDM2	3/4"	2	273
FDM3	1"	2	284

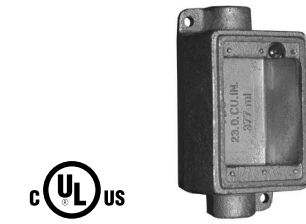
### FSC BOXES



FSCM1

Cat. #	Size	Unit qty.	Wt. lbs. per 100
FSCM1	1/2"	5	234
FSCM2	3/4"	5	241
FSCM3	1"	5	250

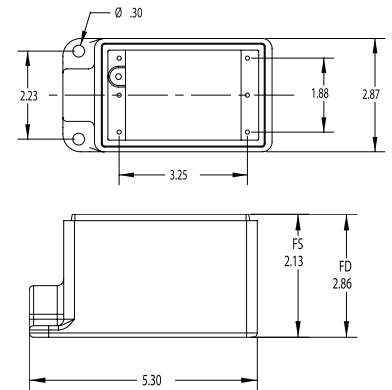
### FDC BOXES



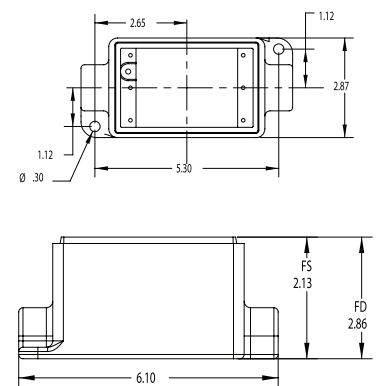
FDCM1

Cat. #	Size	Unit qty.	Wt. lbs. per 100
FDCM1	1/2"	2	313
FDCM2	3/4"	2	294
FDCM3	1"	2	306

### FS & FD dimensions



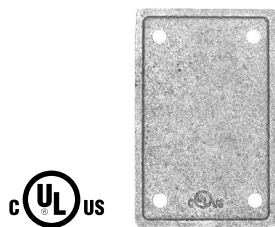
### FSC & FDC dimensions



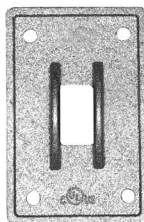
# Cast device boxes

## FS & FD covers

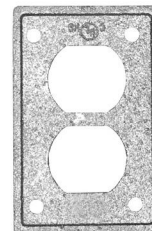
### FS & FD COVERS – MALLEABLE



FBCM1



SWCM1



RCM1

Cat. #	Description	Unit qty.	Wt. lbs. per 100
FBCM1	Malleable iron flat blank cover	25	56
SWCM1	Malleable iron switch cover	25	63
RCM1	Malleable iron duplex receptacle cover	25	55

### FS & FD COVERS – STEEL



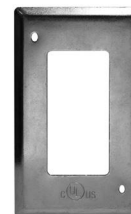
FBSC1



SWCS1



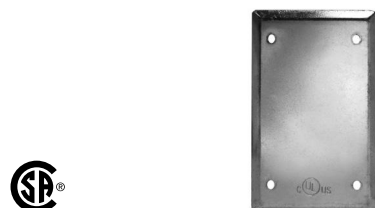
RCS1



GFICS1

Cat. #	Description	Unit qty.	Wt. lbs. per 100
FBSC1	Steel flat blank cover	25	18
SWCS1	Steel switch cover	25	16
RCS1	Steel duplex receptacle cover	25	13
GFICS1	Steel GFCI cover	25	12

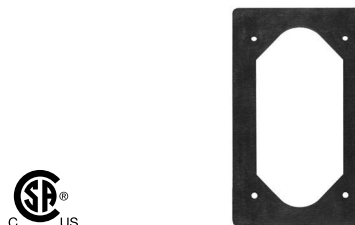
### FS & FD COVERS – ALUMINUM



FBSC1

Cat. #	Description	Unit qty.	Wt. lbs. per 100
FBSC1	Aluminum flat blank cover	25	9

### FS & FD BOX GASKETS



FSGSK1

Cat. #	Description	Unit qty.	Wt. lbs. per 100
FSGSK1	Neoprene gasket	25	3.5

Cast device boxes

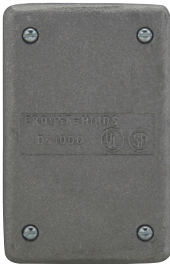
# Single-gang covers for cast iron or aluminum device boxes

## Ordering information:



Blank cover for enclosing splices and taps where device not used

Description	Material	Cat. #
Surface	Sheet aluminum	DS100
Flush	Sheet steel	DSS100



Blank cover with gasket for enclosing splices and taps where device not used

Description	Material	Cat. #
Surface or flush	Cast aluminum	DS100G



DS21



DS21G

For standard and 3-pole, 2-wire grounding type round flush receptacles; opening diameter 1<sup>1</sup>/<sub>16</sub>"

Description	Material	Cat. #
Surface	Sheet steel	DS21
Surface	Sheet aluminum	DS21 SA
Surface or flush	Feraloy iron alloy with gasket	DS21G



For GFI receptacles

Description	Material	Cat. #
Surface	Sheet steel	DS23 GFI



For flush plug receptacle requiring 1<sup>5</sup>/<sub>8</sub>" opening diameter

Description	Material	Cat. #
Surface	Sheet steel	DS35



For duplex convenience receptacles

Description	Material	Cat. #
Surface	Sheet steel	DS23
Surface	Sheet aluminum	DS23 SA
Flush	Sheet steel	DSS23



For standard and 3-pole, 2-wire grounding type duplex convenience receptacles; gasket included

Description	Material	Cat. #
Surface or flush	Feraloy iron alloy	DS23G



For square handle general use snap or toggle switches; unguarded

Description	Material	Cat. #
Surface	Sheet steel	DS32
Surface	Sheet aluminum	DS32 SA



For square handle general use snap or toggle switches; guarded

Description	Material	Cat. #
Surface or flush	Feraloy iron alloy with gasket	DS32G
Surface	Sheet steel	DS52



Adapter plate for mounting WLRS/WLRD covers to flush device boxes

Description	Cat. #
Flush device adapter	WLRA1

**Note:** Also can be used to mount all covers with four corner screws listed (see pages 39 and 41-45) to flush device boxes.

# Single-gang covers for cast iron or aluminum device boxes

Raintight

2F

Raintight covers<sup>A</sup> (gasket included)

## Ordering information:



For general use snap switches; includes gasket

Description	Material	Cat. #
For standard ON-OFF operation	Copper-free aluminum	<b>DS181</b>



For general use snap switches; includes gasket

Description	Material	Cat. #
For standard ON-OFF operation; with hole for lock	Die cast aluminum	<b>DS185</b>



For general use snap switches; includes gasket

Description	Material	Cat. #
For standard operation; marked ON-OFF handle	Cast aluminum	<b>DS128</b>

<sup>A</sup>Raintight cover includes operator lever only. Switch not included.

# Single-gang covers for cast iron or aluminum device boxes

Raintight

2F  
2F

Switch and motor control pushbutton covers

## Ordering information:



For manual motor starting switches; fits FS and FD boxes; takes Westinghouse switches MST01 (1-pole) and MST02 (2-pole); includes gasket

Description	Material	Cat. #
For standard ON-OFF operation	Feraloy iron alloy	<b>DS199</b>



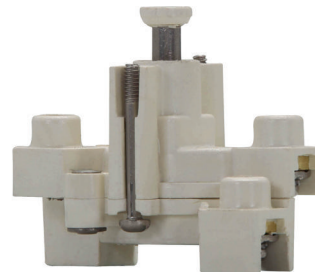
Furnished with buttons for operating motor control pushbutton switches; includes gasket

Description	Pushbuttons			Cat. #
	No.	Color	Material	
Button (normally open) marked START	1	Green	Feraloy iron alloy	<b>DS171F</b> ①
Button (normally closed) marked STOP	1	Red	Feraloy iron alloy	<b>DS171G</b> ①
Button (normally open) marked START and button (normally closed) marked STOP	1	Green	Feraloy iron alloy	<b>DS171</b> ①

Description	No.	Color	Material	Cat. #
Two pushbutton	2	Black	Feraloy iron alloy	<b>DS171J</b> ①

① If desired, markings on indicating plates may be added to catalog number. Select from the list of standard markings below:

HAND	CLOSE	OFF	AUTO.	UP	RUN
EMER.	DOWN	JOG	FORWARD	START	RESET
REVERSE	STOP	TRIP	OPEN	ON	TEST
LGT. ON					



Heavy duty motor control pushbutton switch

No. of buttons	Normal positions	Cat. #
1	1 circuit universal	<b>ED11</b>
2	2 circuits universal	<b>ED12</b> ②

DS covers use the switches shown in the list below:

Cover	Takes switch	Cover	Takes switch
DS171	ED12	DS171F	ED11
DS171G	ED11	DS266	ED12
DS265	ED11		

① Covers include operating lever or button only. Switch not included.

② Two universal contact blocks; must be wired as two circuits, with one normally open and one normally closed.

# Single-gang covers for cast iron or aluminum device boxes

Weatherproof

2F

## DS receptacles and WP plugs

### Applications:

DS receptacles and WP plugs are used:

- Wherever dust, dirt, moisture and corrosion are a problem
- Outdoors or in locations where frequent wash downs occur, as in dairies and food processing plants

### Features:

DS receptacle housings are used:

- With FS and FD cast device boxes, either surface mounted or installed flush in a wall
- With single-gang, two-gang tandem and multi-gang boxes having individual cover openings
- A threaded cap which effectively seals housing when not in use

WP plugs include:

- A molded neoprene hood with integral sleeve to seal the cord entrance
- An aluminum ring which clamps the hood to receptacle housing face, to complete watertight seal when plug is in use

### Certifications and compliances:

- UL standards: 498; 514A
- NEMA/EEMAC: WD-1; WD-5
- CSA standard: C22.2 No. 42

### Standard materials:

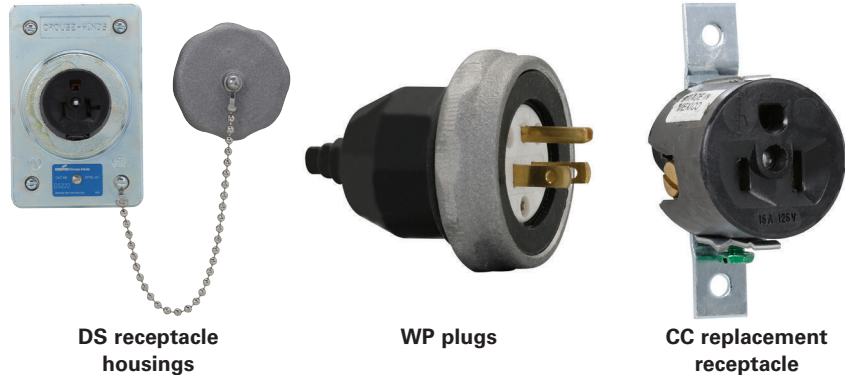
- Receptacle housings – body: Feraloy iron alloy; cap: copper-free aluminum
- Plug exteriors – hood: neoprene; fastening ring: copper-free aluminum

### Standard finishes:

- Feraloy iron alloy – electrogalvanized and aluminum acrylic paint
- Copper-free aluminum – natural
- Neoprene – natural (black or yellow)

### Electrical ratings:

- 20 amperes, 125, 250 volts



### Ordering information:

#### Grounding type receptacles

#### For plugs with U shaped or round grounding contacts

Rating	Cat. # Cover with recept.	NEMA configuration	Style	Cat. # Plug	NEMA configuration	Cord dia.	Cat. # Repl. recept.
20A, 125V	DS222	5-20R	2-wire, 3-pole	WP832	5-20P	0.500 - 0.625"	CC71
20A, 250V	DS290	6-20R	2-wire, 3-pole	WP930	6-20P	0.500 - 0.625"	CC90

For listing of typical FS cast device boxes, see pages 25-26.



# Single-gang covers for cast iron or aluminum device boxes

Pilot light covers, extensions and adapters

## Ordering information:



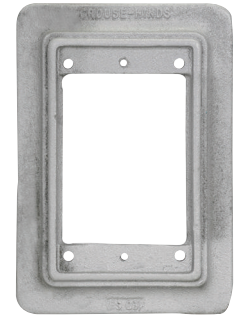
For pilot light units  
(furnished with jewels)

Description	Material	Jewel color	Cat. #
Surface	Sheet steel	Red	DS24



Pilot light (with transformer)<sup>A</sup>;  
FD only

Circuit voltage	Lamp base	Watts	Cat. #
440	Candelabra	6	C333



FS flush mounting adapter  
(can be used with multi-gang bodies  
having individual cover openings);  
furnished with gasket and screws

Mounting style	Cat. #
Wall	FS031



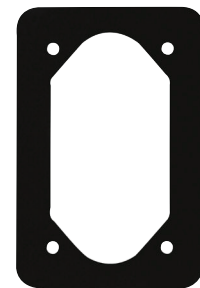
For pilot light units  
(furnished with jewel and gasket)

Description	Material	Jewel color	Cat. #
Surface or flush	Feraloy iron alloy	Red	DS24G



EXF extensions  
(takes covers and flush rectangular  
wiring devices, or plug receptacles with  
housings)

Ext. depth	Cat. #
1"	EXF11
2 1/2"	EXF21



Gasket for use between device boxes  
and covers

Material	Cat. #
Neoprene	GASK91 <sup>B</sup>



Pilot light unit (without transformer)

Circuit voltage	Lamp base	Watts	Cat. #
110	Candelabra	6	C3310

<sup>A</sup>Transformer 50-60 cycle, 440/110 volts.  
<sup>B</sup>Not recommended as watertight.

# Two-gang covers for cast iron or aluminum device boxes

## Ordering information:



For flush general use snap switches with square handles; hole diameter 1<sup>11/32</sup>"

Material	Cat. #
Sheet steel	S32232



For duplex convenience receptacles, standard and 2-wire, 3-pole grounding; hole diameter 1<sup>11/32</sup>"

Description	Material	Cat. #
Surface	Sheet steel	S232



For 20A, 250V receptacles; hole diameter 2<sup>5/32</sup>"

Description	Material	Cat. #
2-pole, surface	Sheet steel	S612



For flush general use snap switches with square handles; hole diameter 1<sup>13/32</sup>"

Description	Material	Cat. #
For round plug flush receptacles; surface	Sheet steel	S32212



For GFI receptacles; rectangular height 2<sup>5/8</sup>"; rectangular width 1<sup>5/16</sup>"

Description	Material	Cat. #
Surface	Sheet steel	S232 GFI



Blank; Feraloy iron alloy with gasket

Description	Material	Cat. #
Surface	Sheet steel	S1002
Surface or flush	Feraloy iron alloy	S1002G
Surface or flush	Copper-free aluminum	S1002G SA



For standard and 2-wire, 3-pole grounding; hole diameter 1<sup>13/32</sup>"

Description	Material	Cat. #
For round plug flush receptacles; surface	Sheet steel	S212



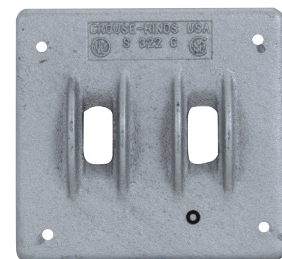
For round flush receptacles (hole diameter 1<sup>13/32</sup>"); duplex convenience receptacles, standard and 2-wire, 3-pole grounding (hole diameter 1<sup>11/32</sup>"

Description	Material	Cat. #
Surface	Sheet steel	S21232



For flush general use snap switches with square handles

Description	Material	Cat. #
Surface	Sheet steel	S322



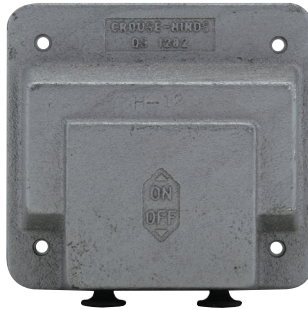
For flush general use snap switches with square handles

Description	Material	Cat. #
Surface or flush	Feraloy iron alloy	S322G

# Multi-gang covers for cast iron or aluminum device boxes

## Ordering information:

### Two-gang



With operating mechanism and gasket

Description	Material	Cat. #
Two-gang; for operation of general use snap switches; surface or flush	Feraloy iron alloy	DS1282

### Three-gang



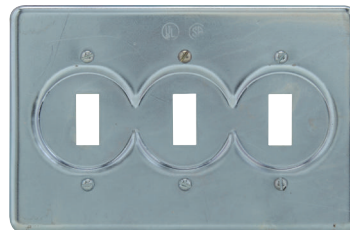
With operating mechanism and gasket

Description	Material	Cat. #
Three-gang with gasket; for external operation of general use snap switches; surface or flush	Feraloy iron alloy	DS1283



Blank with gasket included

Description	Material	Cat. #
Surface	Sheet steel	S1003
Surface or flush	Feraloy iron alloy	S1003G
Surface or flush	Copper-free aluminum	S1003G SA



For flush general use snap switches with square handles

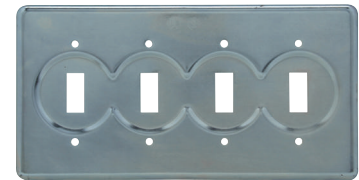
Description	Material	Cat. #
Three-gang; surface	Sheet steel	S323

### Four-gang



Blank with gasket included

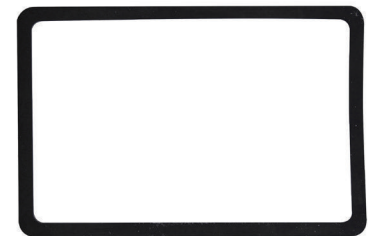
Description	Material	Cat. #
Surface or flush	Feraloy iron alloy	S1004G



For flush general use snap switches with square handles

Description	Material	Cat. #
Four-gang, surface	Sheet steel	S324

## Gaskets



Gasket for use between device box and cover

Description	Material	Cat. #
Two-gang	Rubber	GASK434
Three-gang	Rubber	GASK460
Four-gang	Rubber	GASK461



### Bogotá Sala de Ventas

Carrera 12 No 13 - 46  
PBX: 6013360755 - 6013412439  
Celular: 312 3055335

### Centro de Distribución

Carrera 18 No 19A - 36  
PBX: 6013360755 EXT: 2101