



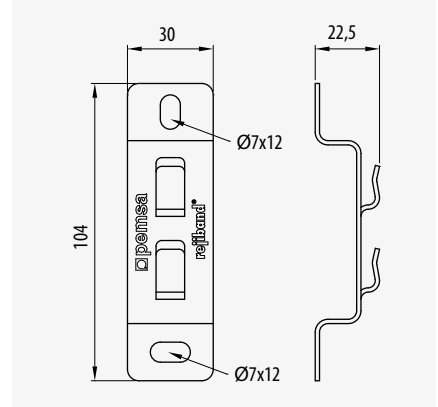
Soporte 60 | *Side Support 60* | *Support 60*



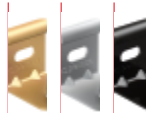
⊕ 60 • ⊖ 60-100-150

	Ref	kg/u	u
EZ	62011060	0,042	25
BC	62021060	0,042	25
GC	62031060	0,044	25
C8	62081060	0,044	25
316L	62061060	0,042	25

↓CTA↓ (kg) 25



Soporte Ligero Pared | *Light Duty Wall Support* | *Support Mural Charge Légère*

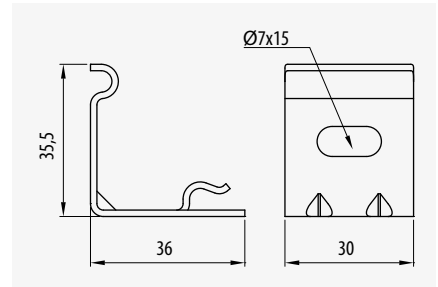


⊕ 35-60 • ⊖ 60-100

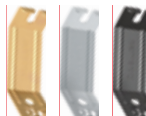
	Ref	kg/u	u
EZ	62016021	0,055	25
BC	62026021	0,055	25
GC	62036021	0,055	25
C8	62086021	0,055	25

↓CTA↓ (kg) 15

NO rejiBand® 35x60



Soporte Ligero Techo | *Light Duty Ceiling Support* | *Support Plafond Charge légère*

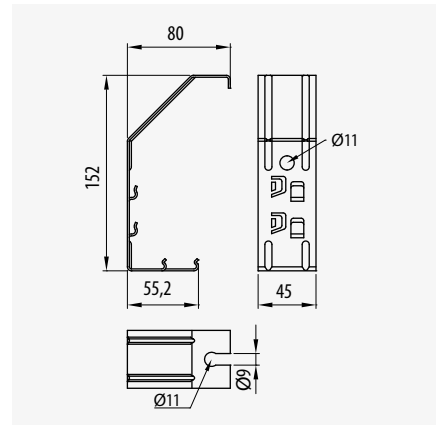


⊕ 35-100 • ⊖ 60-100-150

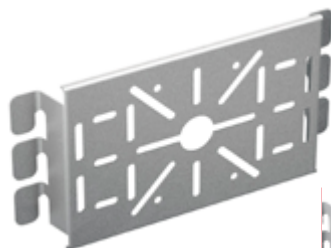
	Ref	kg/u	u
EZ	62016020	0,127	36
BC	62026020	0,127	36
GC	62036020	0,127	36
C8	62086020	0,127	36

↓CTA↓ (kg) 10

NO rejiBand® 60x60



Soporte Universal rejiBand® | *rejiBand® Universal Bracket* | *Support Universel rejiBand®*



⊕ 60-100 • ⊖ 60-600

	Ref	kg/u	u
PG	62026011	0,173	10
GC	62036011	0,187	10
C8	62086011	0,173	10
316L	62066011	0,180	10

↓CTA↓ (kg) 10

