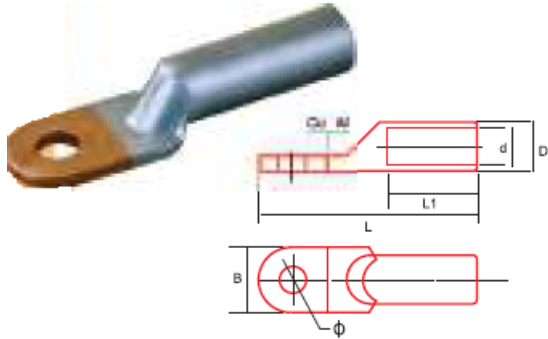




Presente en el futuro!

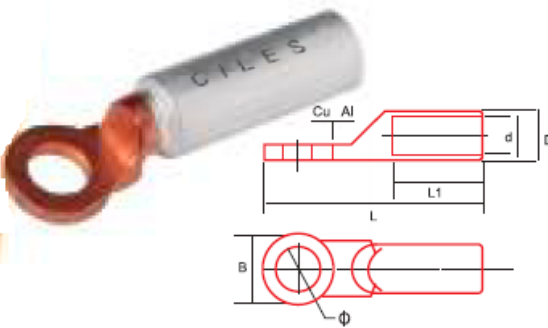
**IE INTER**  
ELECTRICAS

### Conector Bimetálico de pala para tornillo



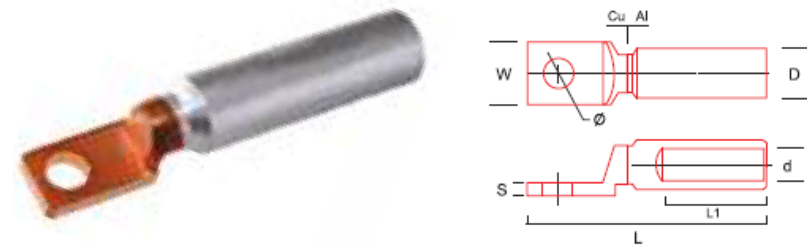
Ref.	Código	Descripción	d1Ø INT	DØ EXT	L1 Profun.	L Lon. tot.	Ø OJO	B ancho pala	Conductor			YOK- 302	ZVO- 400
									Nº hilos	Ø x Hilo	Ø conduct.		
PT850320	DTL-1-10	Conector Bimetálico Terminal Pala 6 AWG	5.2	10.0	30	65	8.5	16	7	1.55	4.65	25	25
PT850321	DTL-1-16	Conector Bimetálico Terminal Pala 4 AWG	6.1	11.0	31	70	8.5	16	7	1.96	5.88	35	35
PT850322	DTL-1-25	Conector Bimetálico Terminal Pala 2 AWG	7.6	14.0	39	85	10.5	20	7	2.47	7.46	70	70
PT850324	DTL-1-50	Conector Bimetálico Terminal Pala 1/0	9.8	16.0	43	90	10.5	26	19	1.89	9.44	70	95
PT850325	DTL-1-70	Conector Bimetálico Terminal Pala 2/0	11.0	18.0	47	102	12.5	25	19	2.13	10.64	120	120
PT850326	DTL-1-80	Conector Bimetálico Terminal Pala 3/0	12.4	21.0	50	112	12.5	27	19	2.39	11.94	150	150
PT850327	DTL-1-95	Conector Bimetálico Terminal Pala 4/0	13.8	23.0	53	120	14.5	29	19	2.68	13.44	185	185
PT850328	DTL-1-120	Conector Bimetálico Terminal Pala 250 MCM	15.0	24.0	55	124	14.5	33	37	2.09	14.58	185	185
PT850329	DTL-1-150	Conector Bimetálico Terminal Pala 300 MCM	16.5	25.0	56	126	14.5	33	37	2.29	15.98	240	-
PT850330	DTL-1-165	Conector Bimetálico Terminal Pala 350 MCM	17.7	27.0	57	133	16.5	36	37	2.47	17.28	240	240
PT850331	DTL-1-185	Conector Bimetálico Terminal Pala 400 MCM	19.0	30.0	60	140	16.5	39	37	2.64	18.68	300	300
PT850332	DTL-1-240	Conector Bimetálico Terminal Pala 500 MCM	21.0	34.0	66	158	21.0	50	37	2.95	20.68	-	400
PT850333	DTL-1-300	Conector Bimetálico Terminal Pala 600 MCM	23.0	-	-	-	-	-	61	2.52	22.72	-	-

### Conector Bimetálico de ojo para tornillo



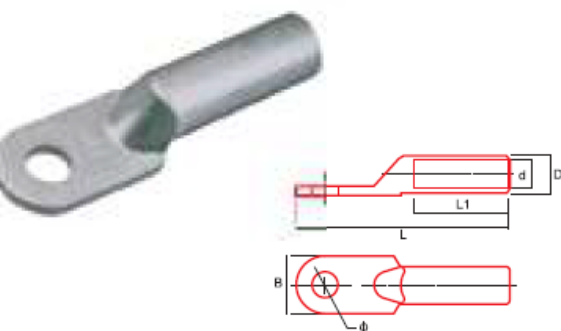
Ref.	Código	Descripción	d1Ø INT	DØ EXT	L1 Profun.	L Lon. tot.	Ø OJO	B ancho pala	Conductor			YOK- 302	ZVO- 400
									Nº hilos	Ø x Hilo	Ø conduct.		
850306	DTL-2-10	Conector Bimetálico Terminal Pala 6 AWG	5.2	10.0	30	87	8.5	16	7	1.55	4.65	25	25
850307	DTL-2-16	Conector Bimetálico Terminal Pala 4 AWG	6.1	11.0	31	87	8.5	16	7	1.96	5.88	35	35
850308	DTL-2-25	Conector Bimetálico Terminal Pala 2 AWG	7.6	14.0	39	87	10.5	20	7	2.47	7.46	70	70
850309	DTL-2-50	Conector Bimetálico Terminal Pala 1/0	9.8	16.0	43	87	10.5	26	19	1.89	9.44	70	95
850310	DTL-2-70	Conector Bimetálico Terminal Pala 2/0	11.0	18.0	47	87	12.5	25	19	2.13	10.64	120	120
850311	DTL-2-95	Conector Bimetálico Terminal Pala 4/0	13.8	23.0	53	87	14.5	29	19	2.68	13.44	185	185
850312	DTL-2-120	Conector Bimetálico Terminal Pala 250 MCM	15.0	24.0	55	111	14.5	33	37	2.09	14.58	185	185
850313	DTL-2-165	Conector Bimetálico Terminal Pala 350 MCM	17.7	27.0	57	116	16.5	36	37	2.47	17.28	240	240
850314	DTL-2-185	Conector Bimetálico Terminal Pala 400 MCM	19.0	30.0	60	116	16.5	39	37	2.64	18.68	300	300
850315	DTL-2-240	Conector Bimetálico Terminal Pala 500 MCM	21.0	34.0	66	116	21.0	50	37	2.95	20.68	-	400

### Conector de pala angosta para breaker totalizador



Ref	Código	Descripción	Conductor	YOK-302	ZVO-400
850380	DTL-2S-10	Conector bimetalico	6 AWG	50A	
850381	DTL-2S-16	Conector bimetalico	4 AWG	65A	
850382	DTL-2S-25	Conector bimetalico	2 AWG	90A	
850383	DTL-2S-35	Conector bimetalico	1/0	120A	
850384	DTL-2S-70	Conector bimetalico	2/0	135A	
850386	DTL-2S-95	Conector bimetalico	4/0	180A	
850387	DTL-2S-120	Conector bimetalico	250 MCM	205A	
850388	DTL-2S-165	Conector bimetalico	350 MCM	250A	
850389	DTL-2S-240	Conector bimetalico	500 MCM	310A	

### Conector Aluminio de pala para tornillo



Ref.	Código	Descripción	d1Ø INT	DØ EXT	L1 Profun.	L Lon. tot.	Ø OJO	B ancho pala	Conductor			YOK- 302	ZVO- 400
									Nº hilos	Ø x Hilo	Ø conduct.		
PT850334	DL-10	Conector Aluminio Terminal Pala 6 AWG	5.2	10.0	30	64	8.5	16	7	1.55	4.65	25	25
PT850335	DL-16	Conector Aluminio Terminal Pala 4 AWG	6.1	11.0	31	66	8.5	16	7	1.96	5.88	35	35
PT850336	DL-25	Conector Aluminio Terminal Pala 2 AWG	7.6	14.0	40	83	10.5	20	7	2.47	7.46	70	70
PT850338	DL-50	Conector Aluminio Terminal Pala 1/0	9.8	16.0	43	90	10.5	23	19	1.89	9.44	70	95
PT850339	DL-70	Conector Aluminio Terminal Pala 2/0 (DL)	11.0	18.0	46	102	12.5	25	19	2.13	10.64	120	120
PT850340	DL-80	Conector Aluminio Terminal Pala 3/0 (DL)	12.4	21.0	48	112	12.5	27	19	2.39	11.94	150	150
PT850341	DL-95	Conector Aluminio Terminal Pala 4/0 (DL)	13.8	23.0	52	118	14.5	29	19	2.68	13.44	185	185
PT850342	DL-120	Conector Aluminio Terminal Pala 250 MCM (DL)	15.0	24.0	53	122	14.5	33	37	2.09	14.58	185	185
PT850343	DL-150	Conector Aluminio Terminal Pala 300 MCM (DL)	16.5	25.0	54	126	14.5	33	37	2.29	15.98	240	-
PT850344	DL-165	Conector Aluminio Terminal Pala 350 MCM (DL)	17.7	27.0	58	133	16.5	36	37	2.47	17.28	240	240
PT850345	DL-185	Conector Aluminio Terminal Pala 400 MCM (DL)	19.0	30.0	61	140	16.5	39	37	2.64	18.68	300	300
PT850346	DL-240	Conector Aluminio Terminal Pala 500 MCM (DL)	21.0	34.0	67	165	21.0	50	37	2.95	20.68	-	400
PT850347	DL-300	Conector Aluminio Terminal Pala 600 MCM (DL)	23.0	-	-	-	-	-	61	2.52	22.72	-	-