

Condulet LBH conduit bodies with covers and SLB, LBY, ET elbows and tees

Cl. I, Div. 1 & 2, Groups A, B, C, D
 Cl. II, Div. 1, Groups E, F, G
 Cl. II, Div. 2, Groups F, G
 Cl. III
 NEMA 7ABCD, 9EFG

Explosionproof
 Dust-ignitionproof

3F
 3F

Applications:

LBH conduit outlet bodies are installed in hazardous areas to:

- Act as pull outlets especially for conductors that are stiff due to large size or type of insulation
- Make 90° bends in conduit system, allowing straight pull in either direction
- Provide for conduit service entrance to buildings
- Provide for conductor entrance to motors
- Provide access to wiring for maintenance and future system changes

SLB and LBY elbows are installed in conduit systems within hazardous areas to:

- Make 90° bends in conduit systems where space is limited
- Act as pull outlets
- Provide access to conductors for maintenance and future system changes

ET short radius tees are installed in conduit systems within hazardous areas to:

- Allow single conduit stub up to outlet and device boxes located above or below main conduit runs; eliminates separate feed and return conduits

Features:

LBH bodies have:

- Cover openings on an angle, permitting conductors to be pulled straight through hubs from either direction
- Domed covers to permit easy conductor bends (relieves strain on insulation)
- Taper threaded hubs with integral bushings

SLB elbows have:

- Compact overall size and short hubs
- Taper tapped hubs and integral bushing for standard threaded conduit
- Covers and gaskets furnished

LBY elbows have:

- Maximum volume for bends within a compact overall size
- Screw-on cover for ease of installation and removal
- Cover opening on an angle, permitting conductors to be pulled straight through either hub
- Taper threaded hubs and integral bushing for rigid threaded conduit

ET short radius tees have:

- Compact size and small radius of bend for use in concealed or open conduit systems
- Particularly suited for use in shallow floors or partitions
- Taper threaded hubs and integral bushing for rigid threaded conduit

Certifications and compliances:

NEC:

LBH10-LBH20

- Class I, Divisions 1 & 2, Groups B, C, D
- Class II, Division 1, Groups E, F, G
- Class II, Division 2, Groups F, G
- Class III

LBH30-LBH100

- Class I, Divisions 1 & 2, Groups C, D
- Class II, Division 1, Groups E, F, G
- Class II, Division 2, Groups F, G
- Class III

LBY

- Class I, Divisions 1 & 2, Groups C, D
- Class II, Division 1, Groups E, F, G
- Class II, Division 2, Groups F, G
- Class III

ET

- Class I, Divisions 1 & 2, Groups A, B, C, D
- Class II, Division 1, Groups E, F, G
- Class II, Division 2, Groups F, G
- Class III

UL standard:

- UL1203

CSA standard:

- C22.2 No. 30

Ordering information:

LBH



Hub size	Cat. #
1/2"	LBH10 ^A
3/4"	LBH20 ^A
1"	LBH30 ^A
1 1/4"	LBH40 ^A
1 1/2"	LBH50
2"	LBH60
2 1/2"	LBH70
3"	LBH80
4"	LBH100

ET



Hub size	Cat. #
3/4" - 1/2" - 1/2" ^B	ET218
3/4" - 3/4" - 3/4" ^B	ET228
1" - 3/4" - 3/4" ^B	ET328

Standard materials:

- LBH, LBY, ET – Feraloy iron alloy
- SLB – copper-free aluminum

Standard finishes:

- LBH, ET – electrogalvanized and aluminum acrylic paint
- LBY – electrogalvanized
- SLB – natural

Options:

Description

Suffix

- Copper-free aluminum..... **SA**
Available with LBH (1 1/2" to 4") and LBY only

Size ranges:

- LBH bodies – hub size 1/2" to 4"
- SLB elbows – hub size 1/2" to 2"
- LBY elbows – hub size 1/2" to 1 1/2"

SLB

(Includes cover)



Hub size	Cat. #
1/2"	SLB1
3/4"	SLB2
1"	SLB3
1 1/4"	SLB4
1 1/2"	SLB5
2"	SLB6

LBY



Hub size	Cat. #
1/2"	LBY15
3/4"	LBY25
1"	LBY35
1 1/4"	LBY45
1 1/2"	LBY55

^AIron only.

^BLargest hub is shown at top of photo.

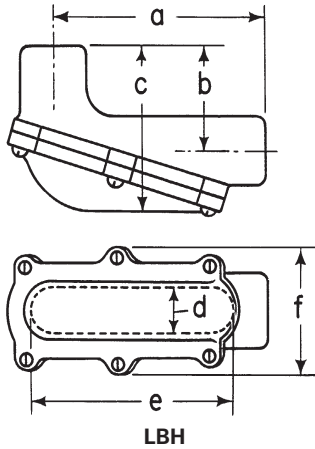
Condulet LBH conduit bodies with covers and SLB, LBY, ET elbows and tees

Cl. I, Div. 1 & 2, Groups A, B, C, D
Cl. II, Div. 1, Groups E, F, G
Cl. II, Div. 2, Groups F, G
Cl. III
NEMA 7ABCD, 9EFG

Explosionproof
Dust-ignitionproof

3F

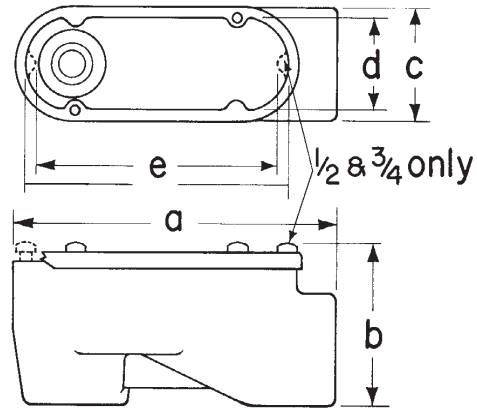
Dimensions (in inches):



LBH

LBH

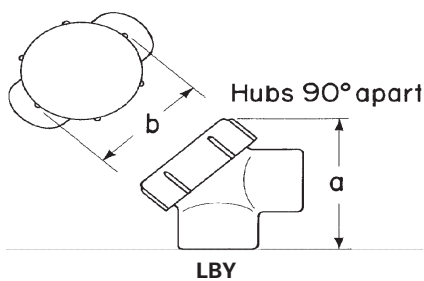
Hub size	a	b	c	d	e	f
1/2" - 3/4"	5 ¹ / ₁₆	2 ¹⁵ / ₃₂	4	1 ³ / ₁₆	4	2 ³ / ₄
1" - 1 ¹ / ₄ "	7 ⁷ / ₈	3 ¹⁹ / ₃₂	5 ¹ / ₄	1 ³ / ₄	7	4
1 ¹ / ₂ "	10 ¹⁵ / ₁₆	4 ¹ / ₂	7 ⁷ / ₃₂	2 ¹ / ₂	10	5
2"	10 ²¹ / ₃₂	4 ²⁵ / ₃₂	7 ⁷ / ₃₂	2 ¹ / ₂	10	5
2 ¹ / ₂ " - 3"	15 ⁵ / ₈	5 ¹ / ₂	9 ¹ / ₂	3	15 ³ / ₄	5 ⁵ / ₈
4"	23 ⁹ / ₁₆	6 ¹¹ / ₁₆	11 ³ / ₄	4	24	7 ¹ / ₈



SLB

SLB

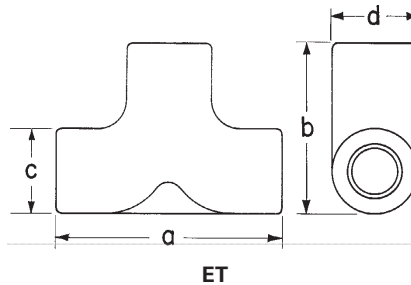
Hub size	a	b	c	d	e
1/2"	3 ¹ / ₈	1 ²⁵ / ₃₂	1 ³ / ₁₆	1	2 ¹¹ / ₁₆
3/4"	3 ¹ / ₂	2	1 ³ / ₈	1 ³ / ₁₆	2 ¹⁵ / ₁₆
1"	4 ¹ / ₈	1 ¹⁹ / ₃₂	1 ¹¹ / ₁₆	1 ¹⁵ / ₃₂	3 ¹¹ / ₃₂
1 ¹ / ₄ "	5 ⁵ / ₈	2 ²⁵ / ₃₂	2 ²³ / ₃₂	1 ¹ / ₈	4 ³ / ₄
1 ¹ / ₂ "	6 ²³ / ₃₂	3 ¹ / ₃₂	2 ⁷ / ₈	2 ⁵ / ₃₂	6 ¹ / ₃₂
2"	7 ³ / ₄	3 ²⁵ / ₃₂	3	2 ⁵ / ₈	6 ³¹ / ₃₂



LBY

LBY

Hub size	a	b
1/2"	2 ⁷ / ₁₆	2
3/4"	2 ¹³ / ₁₆	2 ¹ / ₄
1"	3 ³ / ₃₂	2 ¹ / ₂
1 ¹ / ₄ "	3 ³ / ₄	2 ¹⁵ / ₁₆
1 ¹ / ₂ "	4 ¹ / ₄	3 ⁷ / ₈



ET

ET

Hub size	a	b	c	d
3/4" - 1 ¹ / ₂ " - 1 ¹ / ₂ "	4	2 ⁵ / ₈	1 ¹ / ₄	1 ¹ / ₂
3/4" - 3/4" - 3/4"	4	3	1 ¹ / ₂	1 ¹ / ₂
1" - 3/4" - 3/4"	4	3	1 ¹ / ₂	1 ³ / ₄

Bogotá Sala de Ventas

Carrera 12 No 13 - 46
PBX: 6013360755 - 6013412439
Celular: 312 3055335

Centro de Distribución

Carrera 18 No 19A - 36
PBX: 6013360755 EXT: 2101

